

Type 120HB

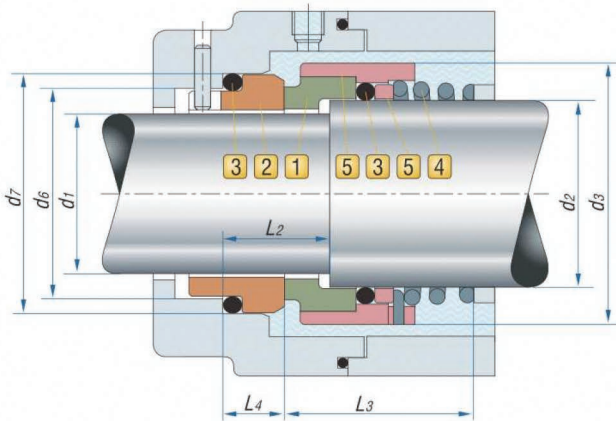
Equivalent to Burgmann H12N/H17GN

OPERATING CONDITIONS

Pressure: $P=0\sim 2.5\text{MPa}$

Temperature: $t=-40^{\circ}\text{C}\sim 220^{\circ}\text{C}$

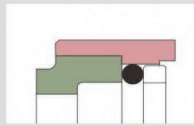
Velocity: $Vg\leq 15\text{m/s}$



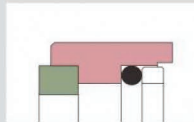
120HB DIMENSIONAL DATA (mm)

(Size) (Specification)	d1	d2 (H6)	d3 (Max)	d4	d5 (H8)	L2	L3 (±0.5)	L4
120HB-12	12	16	26	19	23	18	26.5	10.0
120HB-14	14	18	31	21	25	18	29.5	10.0
120HB-16	16	20	34	23	27	18	31.0	10.0
120HB-18	18	22	36	27	33	20	32.5	11.5
120HB-20	20	24	38	29	35	20	32.5	11.5
120HB-22	22	26	40	31	37	20	32.5	11.5
120HB-24	24	28	42	33	39	20	32.5	11.5
120HB-25	25	30	44	34	40	20	33.5	11.5
120HB-28	28	33	47	37	43	20	35.5	11.5
120HB-30	30	35	49	39	45	20	35.5	11.5
120HB-32	32	38	54	42	48	20	39.5	11.5
120HB-33	33	38	54	42	48	20	39.5	11.5
120HB-35	35	40	56	44	50	20	43.5	11.5
120HB-38	38	43	59	49	56	23	46.0	14.0
120HB-40	40	45	61	51	58	23	48.0	14.0
120HB-43	43	48	64	54	61	23	51.0	14.0
120HB-45	45	50	66	56	63	23	55.0	14.0
120HB-48	48	53	69	59	66	23	55.0	14.0
120HB-50	50	55	71	62	70	25	58.0	15.0
120HB-53	53	58	78	65	73	25	60.0	15.0
120HB-55	55	60	79	67	75	25	60.0	15.0
120HB-58	58	63	83	70	78	25	60.0	15.0
120HB-60	60	65	85	72	80	25	60.0	15.0
120HB-63	63	68	88	75	83	25	60.0	15.0
120HB-65	65	70	90	77	85	25	61.0	15.0
120HB-70	70	75	98	83	92	28	63.0	18.0
120HB-75	75	80	103	88	97	28	68.0	18.0
120HB-80	80	85	109	95	105	28	68.0	18.2

1 ROTARY FACE

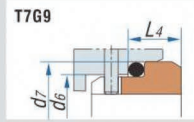


Antimony Impregnated Carbon: **Ao**
Resin Impregnated Carbon: **Ak**

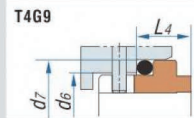


Reaction Bonded Sic: **O**

2 STATIONARY SEAT



Reaction Bonded Sic: **O**
Cr-Ni-Mo Steel: **G**
99% Aluminium Oxide: **B1**



Resin Impregnated Carbon: **Ak**

3 AUXILIARY SEAL

- Fluorocarbon: **V**
- Ethylene-Propylene: **E**
- Silicone-Rubber: **S**

4 SPRING

Chromium-Nickel Steel: **F**



Left: **L**

Right: **R**

5 METAL PARTS

Chromium-Nickel Steel: **F**