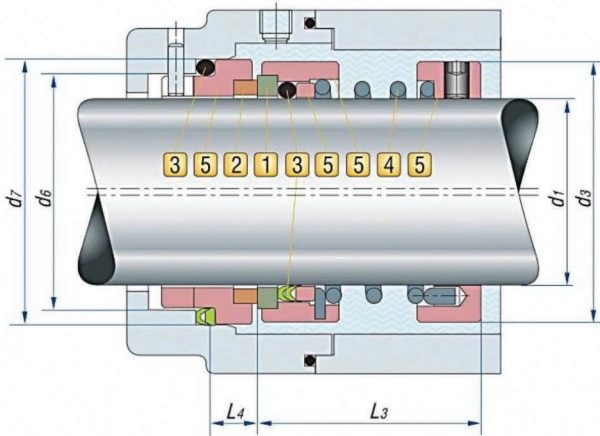


## Type 108U

### OPERATING CONDITIONS

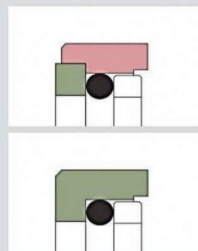
Pressure:  $P=0\sim 0.6\text{MPa}$   
Temperature:  $t=-20^{\circ}\text{C}\sim 150^{\circ}\text{C}$   
Velocity:  $Vg\leq 15\text{m/s}$



### 108U DIMENSIONAL DATA (mm)

| (Size)<br>(Specification) | d <sub>1</sub><br>(h6) | d <sub>3</sub><br>(Max) | d <sub>6</sub> | d <sub>7</sub><br>(H8) | L <sub>3</sub><br>(±0.5) | L <sub>4</sub> |
|---------------------------|------------------------|-------------------------|----------------|------------------------|--------------------------|----------------|
| 108U-35                   | 35                     | 49                      | 44             | 50                     | 42                       | 13             |
| 108U-40                   | 40                     | 56                      | 50             | 58                     | 42                       | 13             |
| 108U-45                   | 45                     | 61                      | 55             | 63                     | 47                       | 13             |
| 108U-50                   | 50                     | 66                      | 62             | 70                     | 47                       | 13             |
| 108U-55                   | 55                     | 71                      | 67             | 75                     | 57                       | 13             |
| 108U-60                   | 60                     | 80                      | 72             | 80                     | 57                       | 13             |
| 108U-65                   | 65                     | 85                      | 77             | 85                     | 65                       | 15             |
| 108U-70                   | 70                     | 90                      | 84             | 92                     | 65                       | 15             |
| 108U-75                   | 75                     | 99                      | 87             | 97                     | 65                       | 15             |
| 108U-80                   | 80                     | 104                     | 95             | 105                    | 73                       | 17             |
| 108U-85                   | 85                     | 109                     | 100            | 110                    | 73                       | 17             |

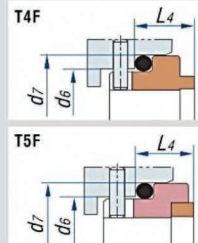
### 1 ROTARY FACE



Reaction Bonded Sic: **O**  
Nickel Bonded WC: **W**

Cr-Ni-Mo Steel: **G**

### 2 STATIONARY SEAT



Resin Impregnated Carbon: **Ak**

Reaction Bonded Sic: **O**  
Nickel Bonded WC: **W**

### 3 AUXILIARY SEAL

- Fluorocarbon: **V**
- Ethylene-Propylene: **E**
- Nitrile: **P**
- Pure PTFE: **T**

### 4 SPRING

Chromium-Nickel Steel: **F**

### 5 METAL PARTS

Chromium-Nickel Steel: **F**