

Type 9B

Equivalent to John Crane Type109B

Type 8B

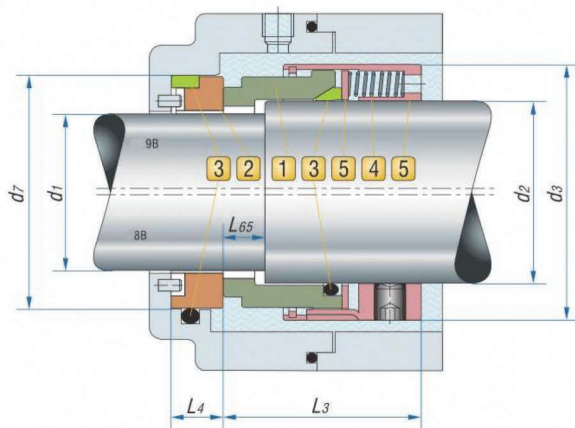
Equivalent to John Crane Type8B-1

OPERATING CONDITIONS

Pressure: $P=0\sim 5.8\text{MPa}$

Temperature: $t=-40^{\circ}\text{C}\sim 200^{\circ}\text{C}$

Velocity: $Vg\leq 25\text{m/s}$



8B/9B DIMENSIONAL DATA (mm)

(Diameter)	(Size)	d1	d2 (h6)	d3 (Max)	d7 (H8)	L3 (±0.5)	L65	L4
1.000	22.2	25.40	40.3	41.28	33	6.4	11.1	
1.125	25.4	28.58	43.5	44.45	35	7.9	11.1	
1.250	28.6	31.75	48.3	47.63	35	7.9	11.1	
1.375	28.6	34.93	51.5	50.80	37	8.7	11.1	
1.500	31.8	38.10	54.6	53.98	37	8.7	11.1	
1.625	34.9	41.28	61.0	60.33	45	8.7	12.7	
1.750	38.1	44.45	64.0	63.50	45	9.5	12.7	
1.875	41.3	47.63	67.3	66.68	45	9.5	12.7	
2.000	44.5	50.80	70.5	69.85	45	9.5	12.7	
2.125	47.6	53.98	76.9	76.20	52	11.1	14.3	
2.250	50.8	57.15	80.0	79.38	52	11.1	14.3	
2.375	54.0	60.33	83.2	82.55	52	11.1	14.3	
2.500	57.2	63.50	86.4	85.73	52	11.1	14.3	
2.625	60.3	66.68	89.6	85.73	52	11.1	15.9	
2.750	63.5	69.85	92.7	88.90	52	11.1	15.9	
2.875	66.7	73.03	95.9	95.25	52	11.1	15.9	
3.000	69.9	76.02	97.5	98.43	52	11.1	15.9	
3.125	73.0	79.38	100.7	101.60	52	11.1	19.8	
3.250	76.2	82.55	105.4	104.78	52	14.3	19.8	
3.375	79.4	85.73	108.6	107.95	52	14.3	19.8	
3.500	82.6	88.90	111.8	111.13	52	14.3	19.8	
3.625	85.7	92.08	115.0	114.30	52	14.3	19.8	
3.750	88.9	95.25	118.1	117.48	52	14.3	19.8	
3.875	92.1	98.43	121.3	120.65	52	14.3	19.8	
4.000	95.3	101.60	124.5	123.83	52	14.3	19.8	

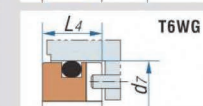
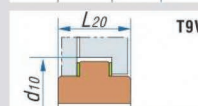
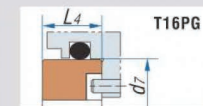
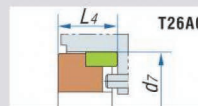


1 ROTARY FACE



Resin Impregnated Carbon: **Ak**
Antimony Impregnated Carbon: **Ao**
Reaction Bonded Sic: **O**

2 STATIONARY SEAT



Reaction Bonded Sic: **O**
99% Aluminium Oxide: **B1**
Nickel Bonded WC: **W**

3 AUXILIARY SEAL

- Fluorocarbon: **V**
- Ethylene-Propylene: **E**
- PTFE Enwrap Viton: **M1**
- Pure PTFE: **T**

4 SPRING

Chromium-Nickel Steel: **F**
Cr-Ni-Mo Steel: **G**

5 METAL PATRTR

Chromium-Nickel Steel: **F**
Cr-Ni-Mo Steel: **G**