

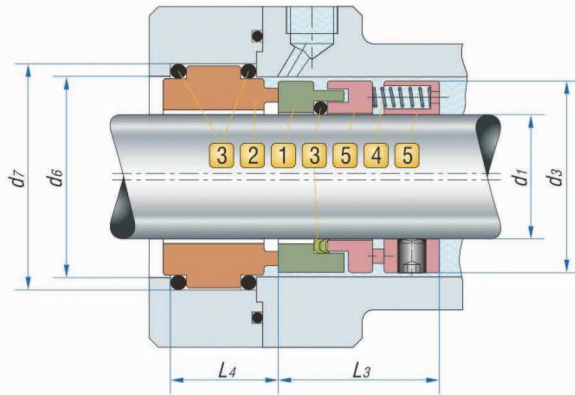
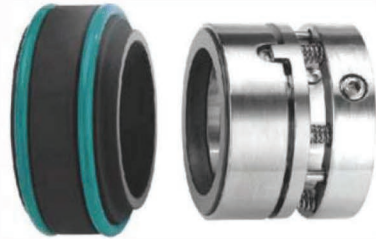
Type 960

OPERATING CONDITIONS

Pressure: $P=0 \sim 1.2 \text{ MPa}$

Temperature: $t=-20^\circ\text{C} \sim 200^\circ\text{C}$

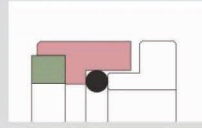
Velocity: $V_g \leq 25 \text{ m/s}$



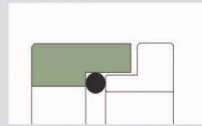
960 DIMENSIONAL DATA (mm)

(Size) (Specification)	d1 (h6)	d3 (Max)	d6	d7 (H8)	L3 (±0.5)	L4	d17 (H8)	L14
960-20	20	34	36	42	35	23	35	13
960-22	22	36	38	44	35	23	37	13
960-24	24	38	40	46	35	23	39	13
960-25	25	39	41	47	35	23	40	13
960-28	28	42	44	50	35	23	43	13
960-30	30	44	46	52	35	23	45	13
960-32	32	46	48	54	35	23	48	13
960-33	33	47	49	55	35	23	48	13
960-35	35	49	51	57	35	23	50	13
960-38	38	54	58	64	38	25	56	13
960-40	40	56	60	66	38	25	58	13
960-43	43	59	63	69	38	25	61	13
960-45	45	61	65	71	38	25	63	13
960-48	48	64	68	74	38	25	66	13
960-50	50	66	70	76	38	25	68	13
960-53	53	69	73	79	40	25	71	13
960-55	55	71	75	81	40	25	73	13
960-58	58	76	83	89	41	28	79	16
960-60	60	78	85	91	41	28	81	16
960-63	63	81	88	94	41	28	84	16
960-65	65	83	90	96	41	28	86	16
960-68	68	86	93	99	41	30	90	16
960-70	70	90	95	101	41	30	92	16
960-75	75	95	104	110	42	30	97	16
960-80	80	100	109	115	42	31	105	16
960-85	85	105	114	120	42	31	110	16
960-90	90	110	119	125	45	31	115	16
960-95	95	115	124	130	45	31	120	16
960-100	100	120	129	135	45	31	125	16

1 ROTARY FACE

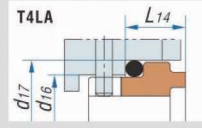


Reaction Bonded SiC: **O**
Nickel Bonded WC: **W**

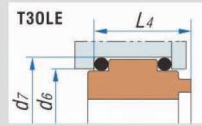


Cr-Ni-Mo Steel: **G**

2 STATIONARY SEAT



Resin Impregnated Carbon: **Ax**
Reaction Bonded SiC: **O**



3 AUXILIARY SEAL

- Fluorocarbon: **V**
- Ethylene-Propylene: **E**
- PTFE Enwrap Viton: **M1**
- Pure PTFE: **T**

4 SPRING

Chromium-Nickel Steel: **F**
Cr-Ni-Mo Steel: **G**

5 METAL PATRIS

Chromium-Nickel Steel: **F**
Cr-Ni-Mo Steel: **G**