

## Type 90B

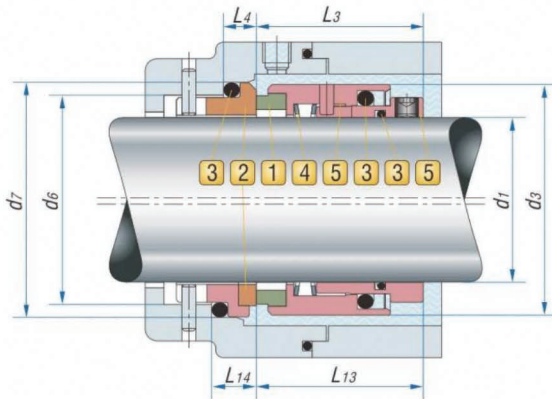
Equivalent to Burgmann HJ92N/HJ977GN

### OPERATING CONDITIONS

Pressure:  $P=0\sim 2.5\text{MPa}$

Temperature:  $t=-40^{\circ}\text{C}\sim 200^{\circ}\text{C}$

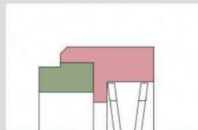
Velocity:  $V_g\leq 25\text{m/s}$



### 90B DIMENSIONAL DATA (mm)

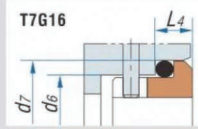
(Size) (Specification)	d1 (H6)	d3 (Max)	d6	d7 (H8)	L3 (±0.5)	L4	L13 (±0.5)	L14
90B-18	18	32	27	33	30.5	7.0	28.5	9.0
90B-20	20	34	29	35	30.5	7.0	28.5	9.0
90B-22	22	36	31	37	30.5	7.0	28.5	9.0
90B-24	24	38	33	39	33.0	7.0	31.0	9.0
90B-25	25	39	34	40	33.0	7.0	31.0	9.0
90B-28	28	42	37	43	35.5	7.0	33.0	9.5
90B-30	30	44	39	45	35.5	7.0	33.0	9.5
90B-32	32	47	42	48	35.5	7.0	33.0	9.5
90B-33	33	47	42	48	35.5	7.0	33.0	9.5
90B-35	35	49	44	50	35.5	7.0	33.0	9.5
90B-38	38	54	49	56	37.0	8.0	34.5	10.5
90B-40	40	56	51	58	37.0	8.0	34.5	10.5
90B-43	43	59	54	61	37.0	8.0	34.5	10.5
90B-45	45	61	56	63	37.0	8.0	34.5	10.5
90B-48	48	64	59	66	37.0	8.0	34.5	10.5
90B-50	50	66	62	70	38.0	9.5	35.5	12.0
90B-53	53	69	65	73	38.0	9.5	35.5	12.0
90B-55	55	71	67	75	38.0	9.5	35.5	12.0
90B-58	58	78	70	78	42.0	10.5	39.5	13.0
90B-60	60	80	72	80	42.0	10.5	39.5	13.0
90B-63	63	83	75	83	42.0	10.5	39.5	13.0
90B-65	65	85	77	85	42.0	10.5	39.5	13.0
90B-68	68	88	81	90	41.5	11.0	39.0	13.5
90B-70	70	90	83	92	48.5	11.5	46.0	14.0
90B-75	75	99	88	97	48.5	11.5	46.0	14.0
90B-80	80	104	95	105	48.5	11.5	46.0	14.0
90B-85	85	109	100	110	48.5	11.5	46.0	14.0
90B-90	90	114	105	115	52.0	13.0	49.5	15.5
90B-95	95	119	110	120	52.0	13.0	49.5	15.5
90B-100	100	124	115	125	52.0	13.0	49.5	15.5

#### 1 ROTARY FACE

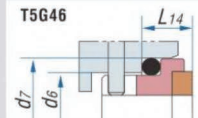


Resin Impregnated Carbon: **Ak**  
Antimony Impregnated Carbon: **Ao**  
Reaction Bonded Sic: **O**

#### 2 STATIONARY SEAT



Reaction Bonded Sic: **O**



Reaction Bonded Sic: **O**  
Nickel Bonded WC: **W**

#### 3 AUXILIARY SEAL

- Fluorocarbon: **V**
- Ethylene-Propylene: **E**
- Nitrile: **P**

#### 4 SPRING

Cr-Ni-Mo Steel: **G**  
Monel K500: **Ms**

#### 5 METAL PARTS

Chromium-Nickel Steel: **F**  
Cr-Ni-Mo Steel: **G**