

Type 6B

Equivalent to John Crane Type6A

OPERATING CONDITIONS

Pressure: $P=0\sim 0.3\text{MPa}$

Temperature: $t=-20^{\circ}\text{C}\sim 100^{\circ}\text{C}$

Speed: $n\leq 5000\text{r/min}$

COMBINED MATERIALS

- 1 Rotary Face: Ceramic/SiC
- 2 Stationary Seat: Carbon/SiC
- 3 Flexible Member: NBR/HNBR

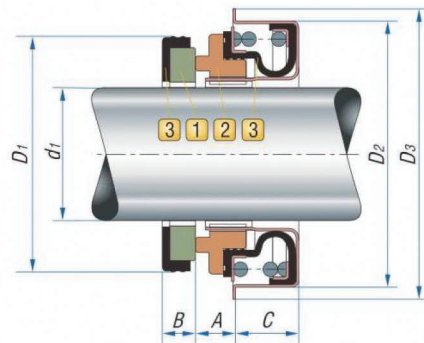


6B DIMENSIONAL DATA (mm)

(Size) (Specification)	d ₁	D ₁ (H8)	D ₂ (H8)	D ₃	A (±0.3)	B	C (Max)
6B-0.375	9.53	22.23	28.58	31.8	4.1	7.92	7.92
6B-0.500	12.70	25.40	28.58	34.9	5.2	7.92	8.74
6B-0.625	15.88	31.75	36.50	41.3	6.7	10.31	8.59
6B-0.750	19.05	34.93	40.00	43.6	6.0	10.31	9.53

6B DIMENSIONAL DATA (mm)

(Size) (Specification)	d ₁	D ₁ (H8)	D ₂ (H8)	D ₃	A (±0.3)	B	C (Max)
6B-10	10	23	24.00	29.0	4.1	4.0	8.0
6B-12	12	25	28.58	32.0	5.2	5.0	8.0
6B-12M	12	24	30.00	35.0	5.2	5.0	8.0
6B-16	16	31	36.50	41.5	6.7	5.0	8.0
6B-20	20	35	40.00	43.8	6.0	5.0	9.5
6B-25	25	44	47.00	51.0	8.0	7.0	10.0
6B-30	30	48	52.00	57.0	8.0	8.0	11.0



Type 6A

Equivalent to John Crane Type6A

OPERATING CONDITIONS

Pressure: $P=0\sim 0.3\text{MPa}$

Temperature: $t=-20^{\circ}\text{C}\sim 100^{\circ}\text{C}$

Speed: $n\leq 5000\text{r/min}$

COMBINED MATERIALS

- 1 Rotary Face: Ceramic/SiC
- 2 Stationary Seat: Carbon/SiC
- 3 Flexible Member: NBR/HNBR



TG6A DIMENSIONAL DATA (mm)

(Size) (Specification)	d ₁	D ₁	D ₂ (H8)	D ₃	A (±0.3)	B	C (Max)
6A-0.500	12.70	23.47	28.58	34.9	5.2	5.41	8.74
6A-0.625	15.88	28.58	36.50	41.3	6.7	5.41	8.59
6A-0.750	19.05	30.15	40.00	43.6	6.0	5.54	9.53

TG6A DIMENSIONAL DATA (mm)

(Size) (Specification)	d ₁	D ₁	D ₂ (H8)	D ₃	A (±0.3)	B	C (Max)
6A-12	12	24.0	30.0	35.0	5.2	5.0	8.0
6A-15	15	29.5	36.5	41.3	6.7	5.0	8.0
6A-16	16	29.5	36.5	41.3	6.7	5.0	8.0
6A-16A	16	29.5	36.5	41.3	6.7	5.0	8.0
6A-20	20	34.0	40.0	43.6	6.0	5.0	9.5

