

## Type 560K

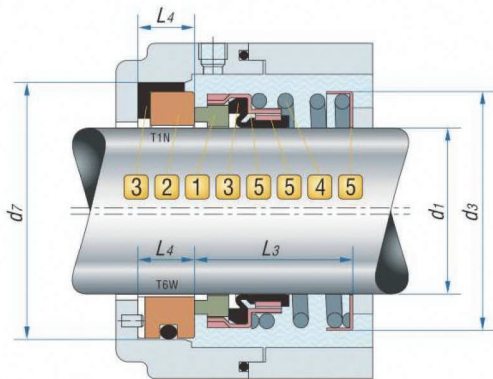
Equivalent to John Crane Type21(UK Standard)

### OPERATING CONDITIONS

Pressure:  $P=0\sim 1.5\text{MPa}$

Temperature:  $t=-20^{\circ}\text{C}\sim 150^{\circ}\text{C}$

Velocity:  $Vg\leq 13\text{m/s}$



### COMBINED MATERIALS

- 1 Rotary Face: Carbon/SiC
- 2 Stationary Seat: Ceramic/SiC/TC
- 3 Flexible Member: NBR/VITON/EPDM
- 4 Spring: Stainless Steel
- 5 Metal Parts: Stainless Steel

### 560K DIMENSIONAL DATA (mm)

(Size) (Specification)	d <sub>1</sub> (h6)	d <sub>3</sub> (Max)	d <sub>7</sub> (H8)	L <sub>3</sub> (±0.5)	L <sub>4</sub>
560K-0.375	9.53	20.5	24.60	25.40	8.74
560K-0.500	12.70	22.5	27.79	25.40	8.74
560K-0.625	15.87	26.5	30.95	25.40	10.32
560K-0.750	19.05	34.0	34.15	25.40	10.32
560K-0.875	22.23	36.0	37.30	25.40	10.32
560K-1.000	25.40	40.0	40.50	25.40	10.32
560K-1.125	28.58	42.0	47.63	33.34	11.99
560K-1.250	31.75	47.0	50.80	33.34	11.99
560K-1.375	34.93	50.0	53.98	33.34	11.99
560K-1.500	38.10	55.0	57.15	33.34	11.99
560K-1.625	41.28	57.0	60.35	33.34	11.99
560K-1.750	44.45	61.5	63.50	40.48	11.99
560K-1.875	47.63	65.5	66.70	40.48	11.99
560K-2.000	50.80	67.5	69.85	40.48	11.99
560K-2.125	53.98	72.0	73.05	41.00	13.50
560K-2.250	57.15	78.5	76.20	41.00	13.50
560K-2.375	60.33	80.0	79.40	41.00	13.50
560K-2.500	63.50	83.0	82.55	41.00	13.50
560K-2.625	66.68	88.0	92.10	49.00	15.90
560K-2.750	69.85	90.0	95.25	49.00	15.90
560K-2.875	73.03	94.0	98.45	49.00	15.90
560K-3.000	76.20	99.0	101.65	49.00	15.90

### Seat Compatibility

Standard: 'T1N(T1G50)' seat

Alternatives: 'T6W' seat

### 560K DIMENSIONAL DATA (mm)

(Size) (Specification)	d <sub>1</sub> (h6)	d <sub>3</sub> (Max)	D <sub>7</sub> (H8)	L <sub>3</sub> (±0.5)	L <sub>4</sub>
560K-10	10	20.5	24.60	25.40	8.74
560K-12	12	22.5	27.79	25.40	8.74
560K-14	14	26.5	30.95	25.40	10.32
560K-16	16	26.5	30.95	25.40	10.32
560K-18	18	34.0	34.15	25.40	10.32
560K-20	20	36.0	35.70	25.40	10.32
560K-22	22	36.0	37.30	25.40	10.32
560K-24	24	40.0	40.50	25.40	10.32
560K-25	25	40.0	40.50	25.40	10.32
560K-28	28	42.0	47.63	33.34	11.99
560K-30	30	45.0	50.80	33.34	11.99
560K-32	32	47.0	50.80	33.34	11.99
560K-33	33	50.0	53.98	33.34	11.99
560K-35	35	50.0	53.98	33.34	11.99
560K-38	38	55.0	57.15	33.34	11.99
560K-40	40	57.0	60.35	33.34	11.99
560K-42	42	59.0	63.50	40.48	11.99
560K-43	43	59.0	63.50	40.48	11.99
560K-45	45	65.5	63.50	40.48	11.99
560K-48	48	67.5	66.70	40.48	11.99
560K-50	50	67.5	69.85	40.48	11.99
560K-53	53	72.0	73.05	41.00	13.50
560K-55	55	78.5	76.20	41.00	13.50
560K-58	58	80.0	79.40	41.00	13.50
560K-60	60	80.0	79.40	41.00	13.50
560K-63	63	83.0	82.55	41.00	13.50
560K-65	65	88.0	92.10	49.00	15.90
560K-70	70	90.0	95.25	49.00	15.90
560K-73	73	94.0	98.45	49.00	15.90
560K-75	75	99.0	101.65	49.00	15.90