

Type 31K

Equivalent to PAC Type21/31(UK Standard)

Type 31U

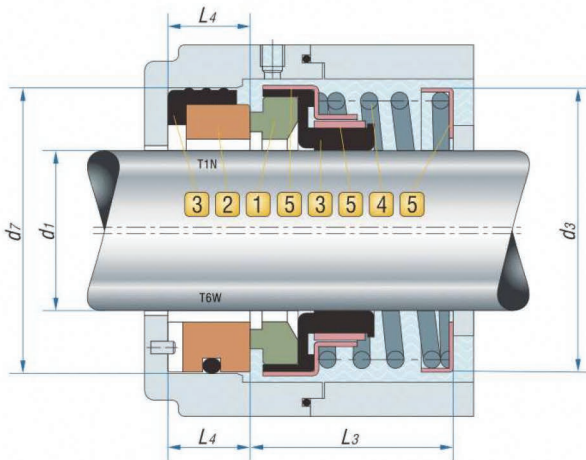
Equivalent to PAC Type21/31(US Standard)

OPERATING CONDITIONS

Pressure: $P=0\sim 1.5\text{MPa}$

Temperature: $t=-20^{\circ}\text{C}\sim 150^{\circ}\text{C}$

Velocity: $Vg\leq 13\text{m/s}$



COMBINED MATERIALS

- 1 Rotary Face: Carbon/SiC
- 2 Stationary Seat: Ceramic/SiC/TC
- 3 Flexible Member: NBR/VITON/EPDM
- 4 Spring: Stainless Steel
- 5 Metal Parts: Stainless Steel

31K DIMENSIONAL DATA (mm)

(Size) (Specification)	d ₁ (h6)	d ₃ (Max)	d ₇ (H8)	L ₃ (±0.5)	L ₄
31K-0.500	12.70	23.3	27.79	25.40	8.74
31K-0.625	15.87	30.1	30.95	25.40	10.32
31K-0.750	19.05	33.1	34.15	25.40	10.32
31K-0.875	22.23	36.3	37.30	25.40	10.32
31K-1.000	25.40	39.4	40.50	25.40	10.32
31K-1.125	28.58	44.5	47.63	33.34	11.99
31K-1.250	31.75	47.6	50.80	33.34	11.99
31K-1.375	34.93	50.8	53.98	33.34	11.99
31K-1.500	38.10	54.0	57.15	33.34	11.99
31K-1.625	41.28	60.3	60.35	33.34	11.99
31K-1.750	44.45	60.3	63.50	40.48	11.99
31K-1.875	47.63	63.9	66.70	40.48	11.99
31K-2.000	50.80	66.7	69.85	40.48	11.99
31K-2.125	53.98	74.6	73.05	41.00	13.50
31K-2.250	57.15	74.6	76.20	41.00	13.50
31K-2.375	60.33	82.0	79.40	41.00	13.50
31K-2.500	63.50	86.1	82.55	41.00	13.50
31K-2.625	66.68	86.1	92.10	49.00	15.90
31K-2.750	69.85	88.9	95.25	49.00	15.90
31K-2.875	73.03	96.5	98.45	49.00	15.90
31K-3.000	76.20	96.5	101.65	49.00	15.90

31U DIMENSIONAL DATA (mm)

(Size) (Specification)	d ₁ (h6)	d ₃ (Max)	d ₇ (H8)	L ₃ (±0.5)	L ₄
31U-0.500	12.70	23.3	25.40	20.62	7.9
31U-0.625	15.87	30.1	31.75	22.22	10.3
31U-0.750	19.05	33.1	34.93	22.22	10.3
31U-0.875	22.23	36.3	38.10	23.80	10.3
31U-1.000	25.40	39.4	41.28	25.40	11.1
31U-1.125	28.58	44.5	44.45	26.97	11.1
31U-1.250	31.75	47.6	47.63	26.97	11.1
31U-1.375	34.93	50.8	50.80	28.58	11.1
31U-1.500	38.10	54.0	53.98	28.58	11.1
31U-1.625	41.28	60.3	60.33	34.93	12.7
31U-1.750	44.45	60.3	63.50	34.93	12.7
31U-1.875	47.63	63.9	66.68	38.10	12.7
31U-2.000	50.80	66.7	69.85	38.10	12.7
31U-2.125	53.98	74.6	76.20	42.85	14.3
31U-2.250	57.15	74.6	79.38	42.85	14.3
31U-2.375	60.33	82.0	82.55	46.02	14.3
31U-2.500	63.50	86.1	85.73	46.02	14.3
31U-2.625	66.68	86.1	85.73	49.20	15.9
31U-2.750	69.85	88.9	88.90	49.20	15.9
31U-2.875	73.03	96.5	95.25	52.37	15.9
31U-3.000	76.20	96.5	98.43	52.37	15.9

Seat Compatibility

Standad: 'T1M(T1G50)' seat

Alternatives: 'T6W' seat