



The DEPAC mechanical seal type 270R is a stationary single-cartridge seal with a round gland that is extremely well suited for conversions from gland packing to mechanical seal, since modification of the unit is not usually necessary. The stationary design principle developed by DEPAC for the process industry also offers maximum running reliability even in difficult ranges of applications for mechanical seals. Unlike the type 270, the type 270R has no flushing or quenching connection.

Advantages

- Stationary design principle
- Ideal for conversions from gland packings to mechanical seals
- Extremely well suited for standardisations
- Cartridge-mounted
- Balanced
- Independent of the direction of rotation
- Multiple springs made of Hastelloy C
- Springs outside the medium - no blockage of the springs
- Vibration-dampend stationary face support

Mechanical seal

Type 270R

Technical specifications

Area of application*

Pressure: 700 mm Hg to 28 bar
 Temperature: dependent on elastomer
 Sliding speed: up to 35 m/s
 Shaft movements: axial $\leq \varnothing 22 \pm 0.5 \text{ mm} \mid \geq \varnothing 24 \pm 1.0 \text{ mm}$
 radial $\leq \varnothing 22 \pm 0.4 \text{ mm} \mid \geq \varnothing 24 \pm 0.5 \text{ mm}$

* The maximum specifications for temperature, pressure and sliding speed apply in each case to independent higher operating conditions. However, this does not mean that the seal will function with all extreme conditions at the same time. If in doubt contact DEPAC.

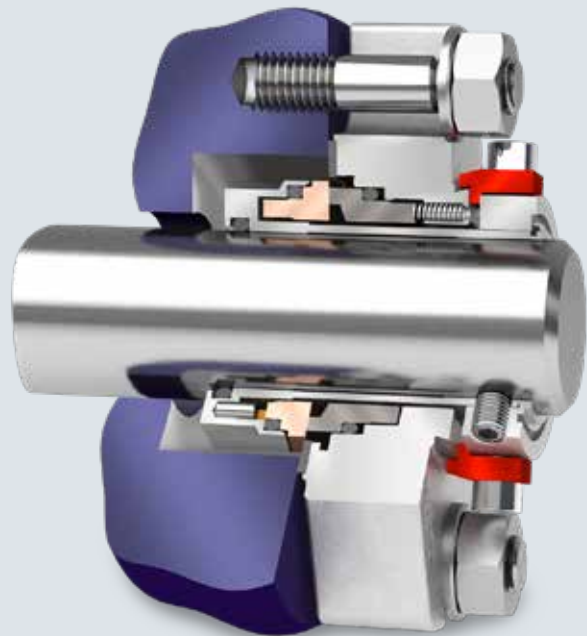
Dimensions

Shaft diameter: 24 – 70 mm
 1" – 2 ¾"

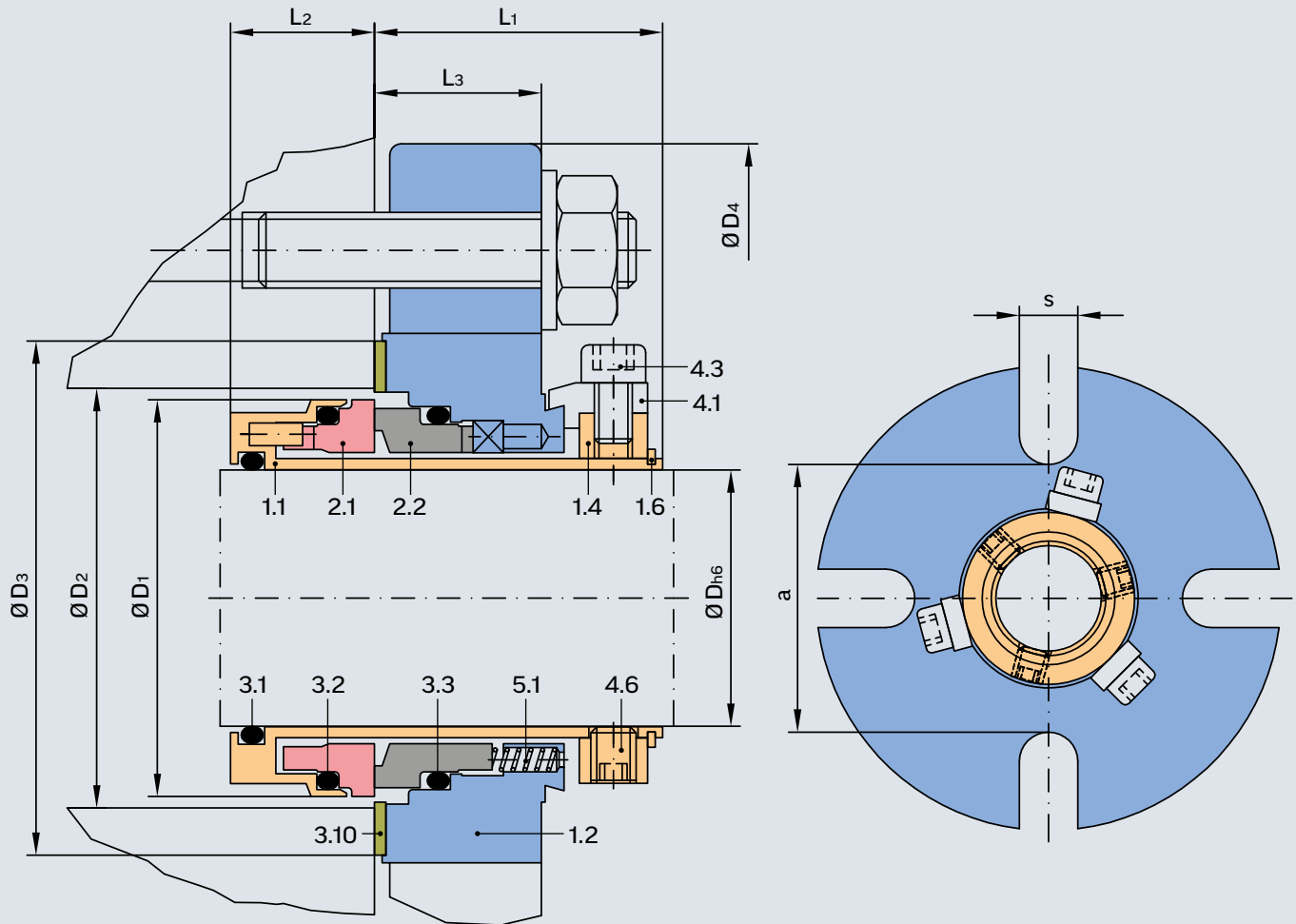
Bill of materials

Item	Description	Material
1.1	Sleeve	1.4571
1.2	Gland	1.4571
1.4	Adjusting ring	1.4571
1.6	Circlip	1.4310
2.1	Dynamic seal face	SC/SSIC/TC
2.2	Stationary seal face	CA/SC/SSIC/TC
3.1, 3.2, 3.3	O-ring	FKM, EPDM, Kalrez®, PTFE,...
3.10	Flat gasket	Klingersil® C-4300
4.1	Centering piece	Al
4.3	Cheesehead screw	A2
4.6	Threaded pin	A4
5.1	Spring	2.4610

Other materials on enquiry!



Mechanical seal Type 270R Data sheet



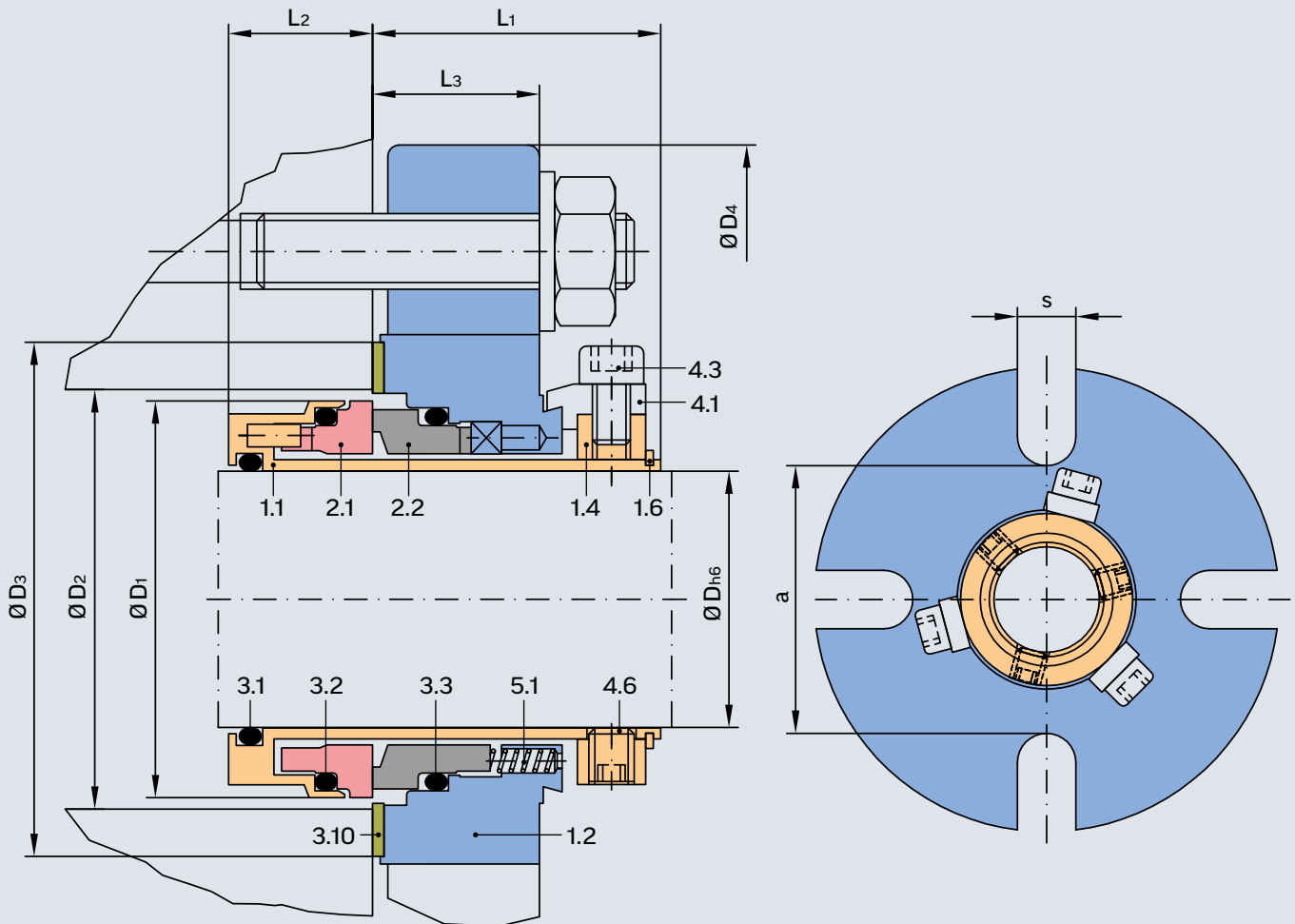
Dimension table Ø 24 - 45 millimetres

D _{h6}	D ₁	D ₂ min.	D ₂ max.	D ₃	D ₄	L ₁	L ₂	L ₃	a	s	O-rings DASH no.		
											3.1	3.2	3.3
24	43.5	45.5	51.0	60	104	38	19	22	62	12.5	120	127	127
25	43.5	45.5	51	60	104	38	19	22	62	12.5	120	127	127
28	46.5	48.5	51	60	104	38	19	22	62	12.5	122	129	129
30	48.5	50.5	54	63	104	38	19	22	65	12.5	123	130	130
32	50.0	52.0	56.0	65	104	38	19	22	67	12.5	124	131	131
33	50.0	52.0	56.0	65	104	38	19	22	67	12.5	125	131	131
35	53.5	55.5	59	68	115	38	19	22	70	12.5	126	133	133
38	56.5	58.5	64	73	125	38	19	22	75	14.7	128	136	136
40	58.5	60.5	64	73	125	38	19	22	75	14.7	130	137	137
42	60.5	62.5	68	77	133	38	19	22	79	14.7	131	138	138
43	61.5	63.5	69	78	133	38	19	22	80	14.7	132	138	138
45	63.5	65.5	70	79	140	38	19	22	81	14.7	133	140	140

Mechanical seal

Type 270R

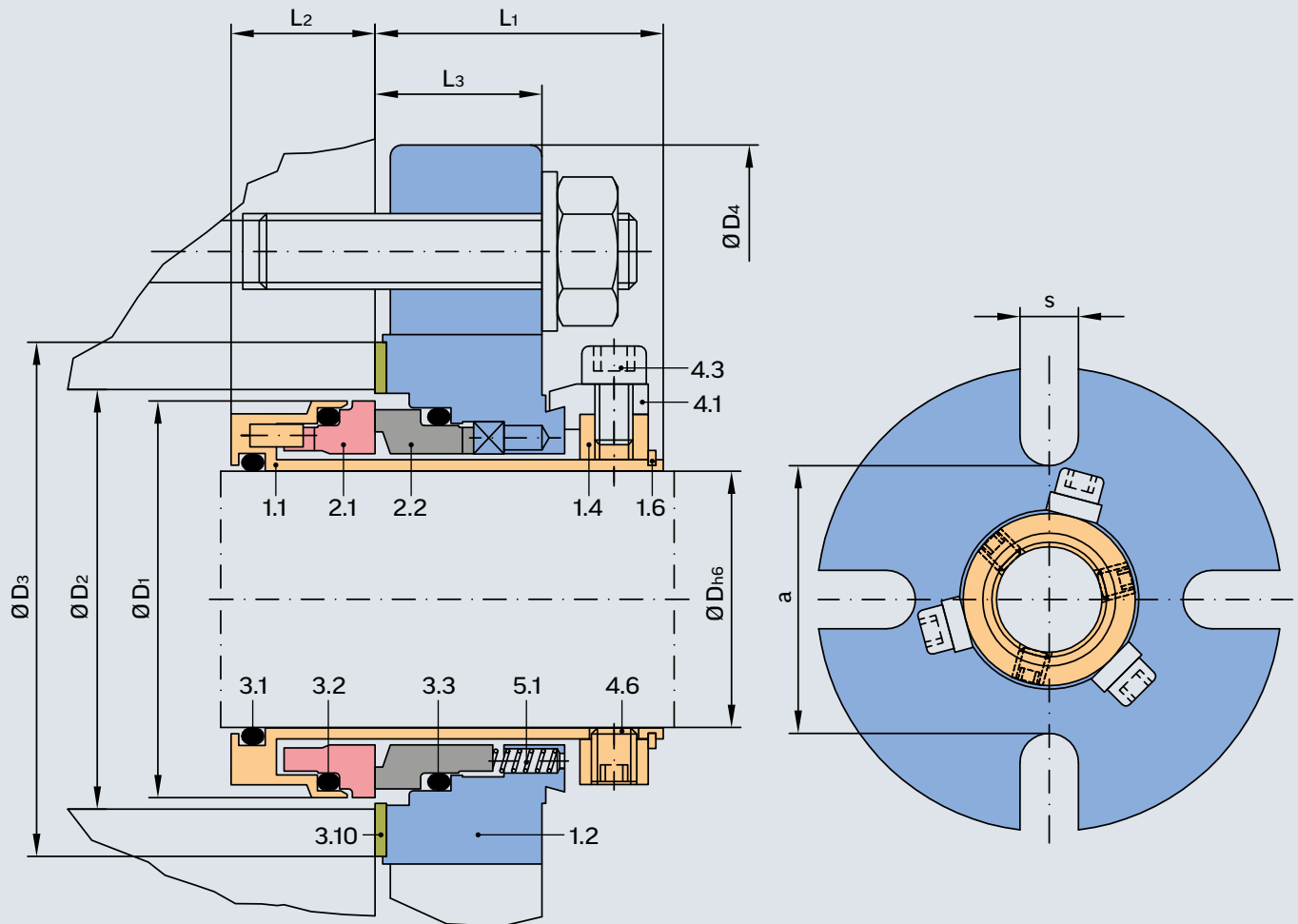
Data sheet



Dimension table Ø 48 - 70 millimetres

D _{h6}	D ₁	D ₂ min.	D ₂ max.	D ₃	D ₄	L ₁	L ₂	L ₃	a	s	O-rings DASH no.		
											3.1	3.2	3.3
48	66.5	68.5	73	82	140	38	19	22	84	14.7	135	142	142
50	68.5	70.5	76	85	140	38	19	22	87	14.7	136	143	143
53	71.5	73.5	79	88	150	38	19	22	90	17.5	138	145	145
55	73.5	75.5	81	90	150	38	19	22	92	17.5	139	146	146
58	76.5	78.5	84	93	155	38	19	22	95	17.5	141	148	148
60	78.5	80.5	89	98	160	38	19	22	100	17.5	142	149	149
63	81.5	83.5	92	101	165	38	19	22	103	17.5	144	150	150
65	83.5	85.5	94	103	165	38	19	22	105	17.5	145	151	151
68	86.5	88.5	97	108	170	38	19	22	110	17.5	147	151	151
70	88.5	90.5	109	118	180	38	19	22	120	17.5	149	152	152

Mechanical seal Type 270R Data sheet



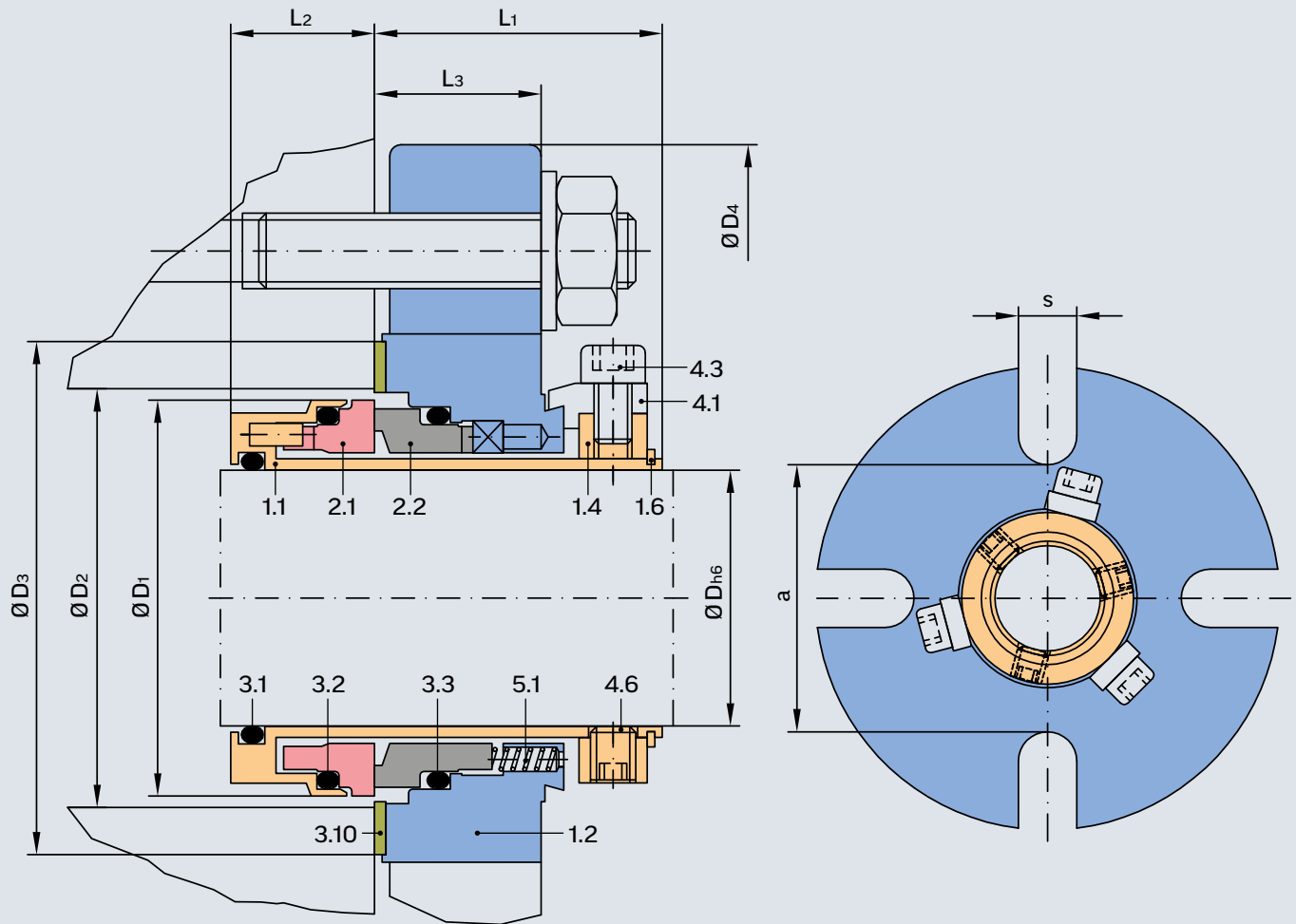
Dimension table Ø 1 - 2 inches

D _{h6}	D ₁	D ₂ min.	D ₂ max.	D ₃	D ₄	L ₁	L ₂	L ₃	a	s	O-rings DASH no.		
											3.1	3.2	3.3
1	1.713	1.791	2.008	2.362	4.094	1.496	0.748	0.866	2.441	0.492	120	127	127
1 ¼	1.831	1.909	2.008	2.362	4.094	1.496	0.748	0.866	2.441	0.492	122	129	129
1 ½	1.988	2.067	2.205	2.559	4.094	1.496	0.748	0.866	2.638	0.492	124	131	131
1 ¾	2.106	2.185	2.323	2.677	4.528	1.496	0.748	0.866	2.756	0.492	126	133	133
1 7/16	2.224	2.303	2.126	2.874	4.921	1.496	0.748	0.866	2.953	0.579	128	136	136
1 ½	2.224	2.303	2.126	2.874	4.921	1.496	0.748	0.866	2.953	0.579	128	136	136
1 ¾	2.382	2.461	2.677	3.071	5.236	1.496	0.748	0.866	3.150	0.579	131	138	138
1 ¾	2.500	2.579	2.756	3.110	5.512	1.496	0.748	0.866	3.189	0.579	133	140	140
1 ¾	2.618	2.697	2.874	3.228	5.512	1.496	0.748	0.866	3.307	0.579	135	142	142
2	2.697	2.776	2.992	3.346	5.512	1.496	0.748	0.866	3.425	0.579	136	143	143

Mechanical seal

Type 270R

Data sheet



Dimension table $\text{Ø } 2 \frac{1}{4} - 2 \frac{3}{4}$ inches

D _{h6}	D ₁	D ₂ min.	D ₂ max.	D ₃	D ₄	L ₁	L ₂	L ₃	a	s	O-rings DASH no.		
											3.1	3.2	3.3
2 ¼	2.815	2.894	3.110	3.465	5.906	1.496	0.748	0.866	3.543	0.689	138	145	145
2 ½	3.012	3.091	3.307	3.661	6.102	1.496	0.748	0.866	3.740	0.689	140	147	147
2 ¾	3.091	3.169	3.504	3.858	6.299	1.496	0.748	0.866	3.937	0.689	142	149	149
3 ¼	3.209	3.288	3.622	3.976	6.469	1.496	0.748	0.866	4.055	0.689	144	150	150
3 ½	3.406	3.485	3.898	4.252	6.693	1.496	0.748	0.866	4.331	0.689	146	151	151
3 ¾	3.484	3.563	4.291	4.646	7.087	1.496	0.748	0.866	4.724	0.689	149	152	152