



The DEPAC mechanical seal type 270 is a stationary single-cartridge seal that is extremely well suited for conversions from gland packing to mechanical seal, since modification of the unit is not usually necessary. The stationary design principle developed by DEPAC for the process industry also offers maximum running reliability even in difficult ranges of applications for mechanical seals.

Advantages

- Stationary design principle
- Ideal for conversions from gland packings to mechanical seals
- Extremely well suited for standardisations
- Cartridge-mounted
- Balanced
- Independent of the direction of rotation
- Multiple springs made of Hastelloy C
- Springs outside the medium - no blockage of the springs
- Vibration-dampend stationary face support
- Gland with 1/8" NPT axial flushing and quenching connection (up to 70 mm | 2 3/8")

Mechanical seal

Type 270

Technical specifications

Area of application*

Pressure:	700 mm Hg to 28 bar
Temperature:	dependent on elastomer
Sliding speed:	up to 35 m/s
Shaft movements:	axial $\leq \varnothing 22 \pm 0.5 \text{ mm} \mid \geq \varnothing 24 \pm 1.0 \text{ mm}$ radial $\leq \varnothing 22 \pm 0.4 \text{ mm} \mid \geq \varnothing 24 \pm 0.5 \text{ mm}$

* The maximum specifications for temperature, pressure and sliding speed apply in each case to independent higher operating conditions. However, this does not mean that the seal will function with all extreme conditions at the same time. If in doubt contact DEPAC.

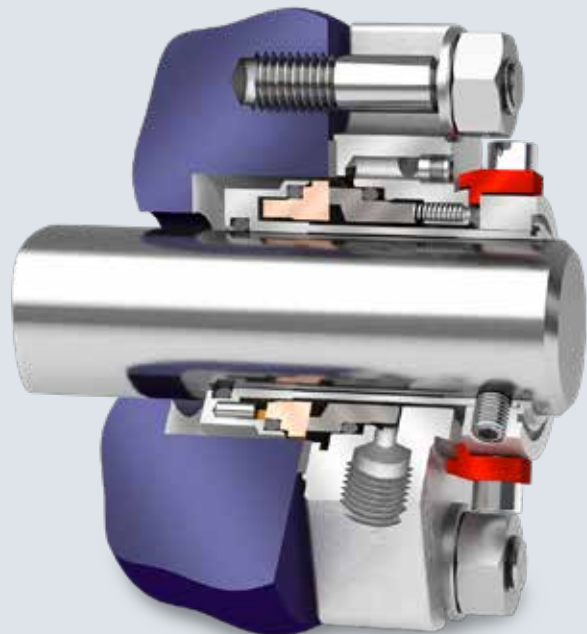
Dimensions

Shaft diameter:	16 – 160 mm 5/8" – 6 1/4" Special sizes on enquiry
-----------------	--

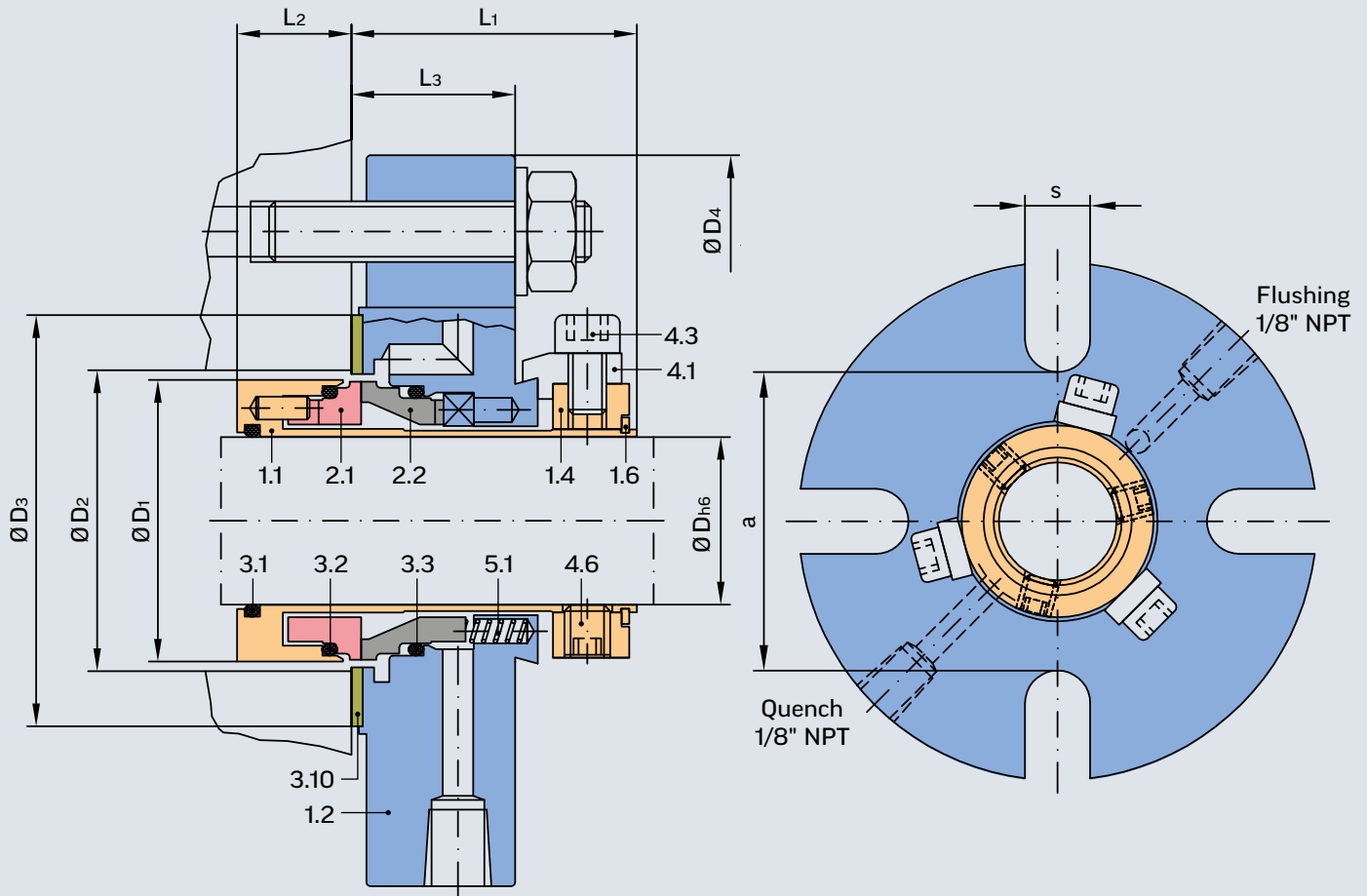
Bill of materials

Item	Description	Material
1.1	Sleeve	1.4571
1.2	Gland	1.4571
1.4	Adjusting ring	1.4571
1.6	Circlip	1.4310
2.1	Dynamic seal face	SC/SSIC/TC
2.2	Stationary seal face	CA/SC/SSIC/TC
3.1, 3.2, 3.3	O-ring	FKM, EPDM, Kalrez®, PTFE,...
3.10	Flat gasket	Klingersil® C-4300
4.1	Centering piece	Al
4.3	Cheesehead screw	A2
4.6	Threaded pin	A4
5.1	Spring	2.4610

Other materials on enquiry!



Mechanical seal Type 270 Data sheet



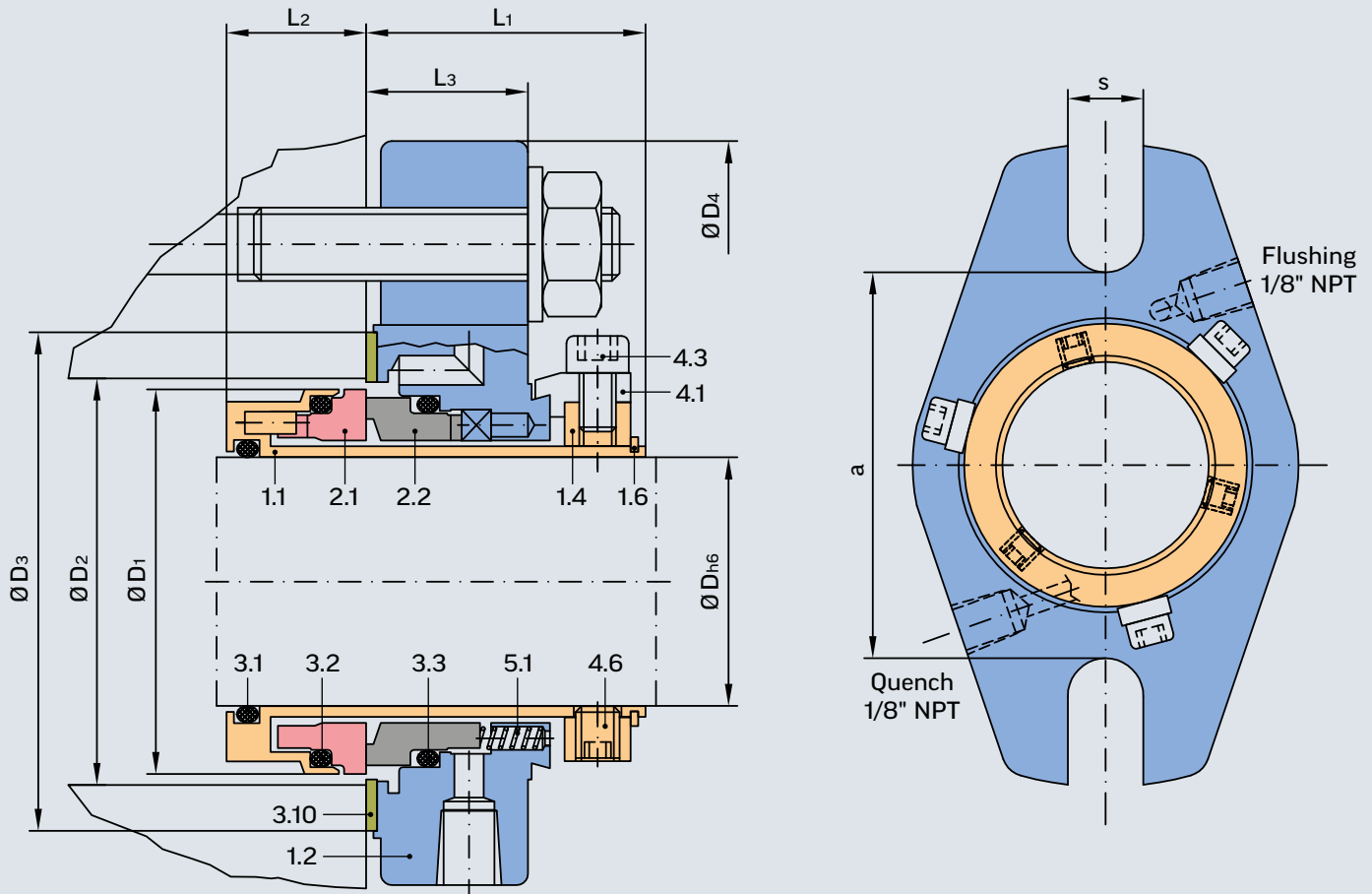
Dimension table Ø 16 - 22 millimetres

D _{h6}	D ₁	D ₂ min.	D ₂ max.	D ₃	D ₄	L ₁	L ₂	L ₃	a	s	O-rings DASH no.		
											3.1	3.2	3.3
16	31.0	32.5	39.0	48	90	37.5	15	21.5	50	11	017	022	022
18	33.0	34.5	41	50	90	37.5	15	21.5	52	11	018	024	024
20	35.0	36.5	43	52	100	37.5	15	21.5	54	11	019	025	025
22	37.0	38.5	45	54	100	37.5	15	21.5	56	11	020	026	026

Mechanical seal

Type 270

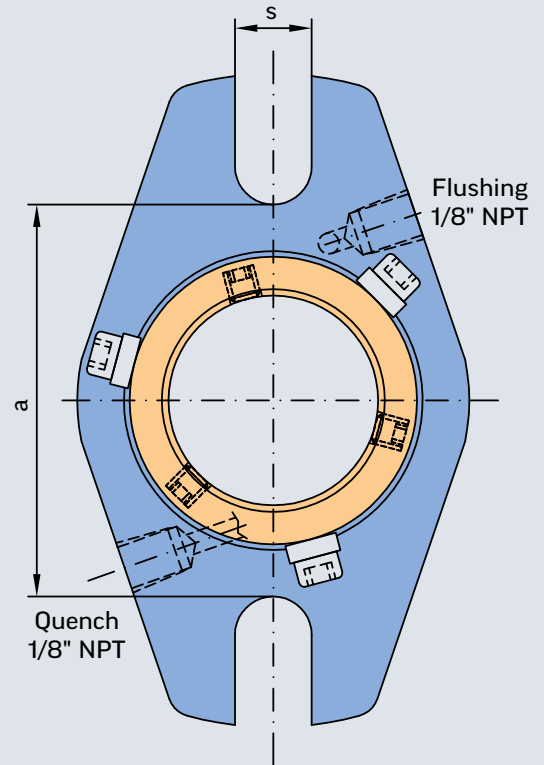
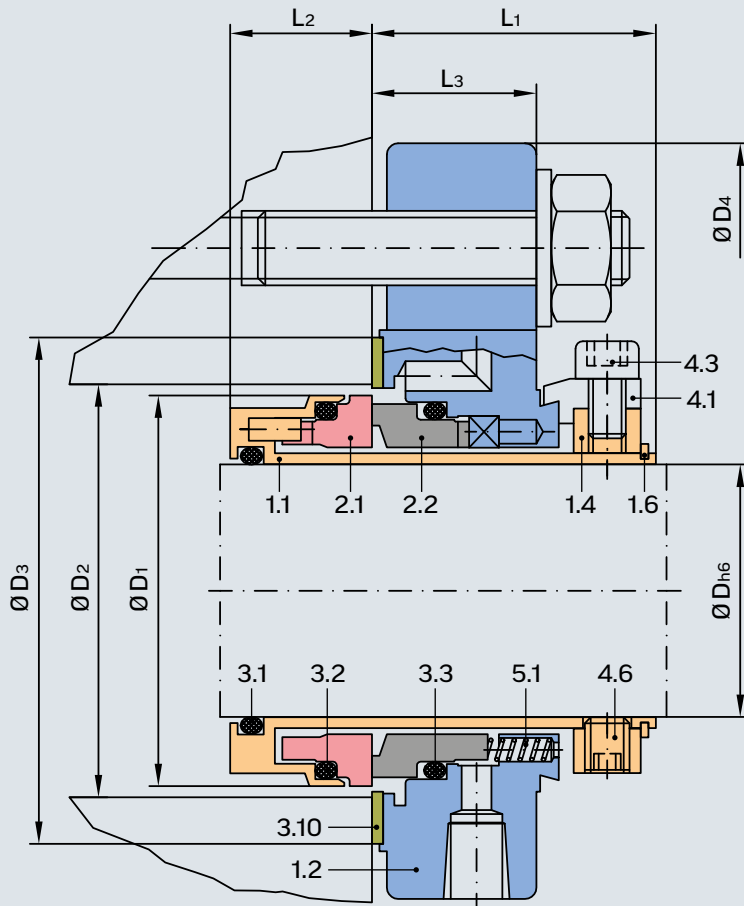
Data sheet



Dimension table Ø 24 - 45 millimetres

D _{h6}	D ₁	D ₂ min.	D ₂ max.	D ₃	D ₄	L ₁	L ₂	L ₃	a	s	O-rings DASH no.		
											3.1	3.2	3.3
24	43.5	45.5	51.0	60	104	38	19	22	62	12.5	120	127	127
25	43.5	45.5	51	60	104	38	19	22	62	12.5	120	127	127
28	46.5	48.5	51	60	104	38	19	22	62	12.5	122	129	129
30	48.5	50.5	54	63	104	38	19	22	65	12.5	123	130	130
32	50.0	52.0	56.0	65	104	38	19	22	67	12.5	124	131	131
33	50.0	52.0	56.0	65	104	38	19	22	67	12.5	125	131	131
35	53.5	55.5	59	68	115	38	19	22	70	12.5	126	133	133
38	56.5	58.5	64	73	125	38	19	22	75	14.7	128	136	136
40	58.5	60.5	64	73	125	38	19	22	75	14.7	130	137	137
42	60.5	62.5	68	77	133	38	19	22	79	14.7	131	138	138
43	61.5	63.5	69	78	133	38	19	22	80	14.7	132	138	138
45	63.5	65.5	70	79	140	38	19	22	81	14.7	133	140	140

Mechanical seal Type 270 Data sheet



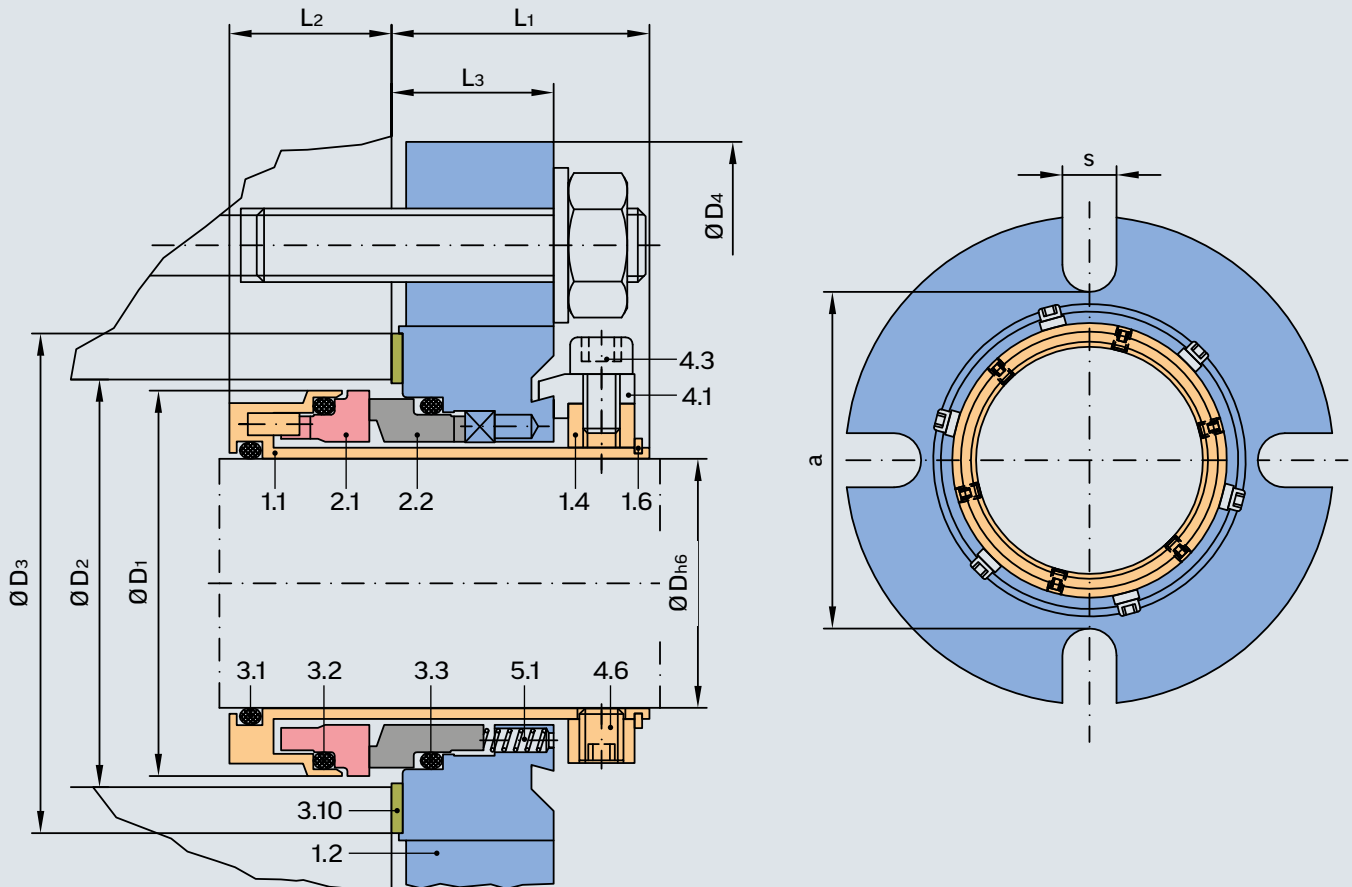
Dimension table $\varnothing 48 - 70$ millimetres

D_{h6}	D_1	D_2 min.	D_2 max.	D_3	D_4	L_1	L_2	L_3	a	s	O-rings DASH no.		
											3.1	3.2	3.3
48	66.5	68.5	73	82	140	38	19	22	84	14.7	135	142	142
50	68.5	70.5	76	85	140	38	19	22	87	14.7	136	143	143
53	71.5	73.5	79	88	150	38	19	22	90	17.5	138	145	145
55	73.5	75.5	81	90	150	38	19	22	92	17.5	139	146	146
58	76.5	78.5	84	93	155	38	19	22	95	17.5	141	148	148
60	78.5	80.5	89	98	160	38	19	22	100	17.5	142	149	149
63	81.5	83.5	92	101	165	38	19	22	103	17.5	144	150	150
65	83.5	85.5	94	103	165	38	19	22	105	17.5	145	151	151
68	86.5	88.5	97	108	170	38	19	22	110	17.5	147	151	151
70	88.5	90.5	109	118	180	38	19	22	120	17.5	149	152	152

Mechanical seal

Type 270

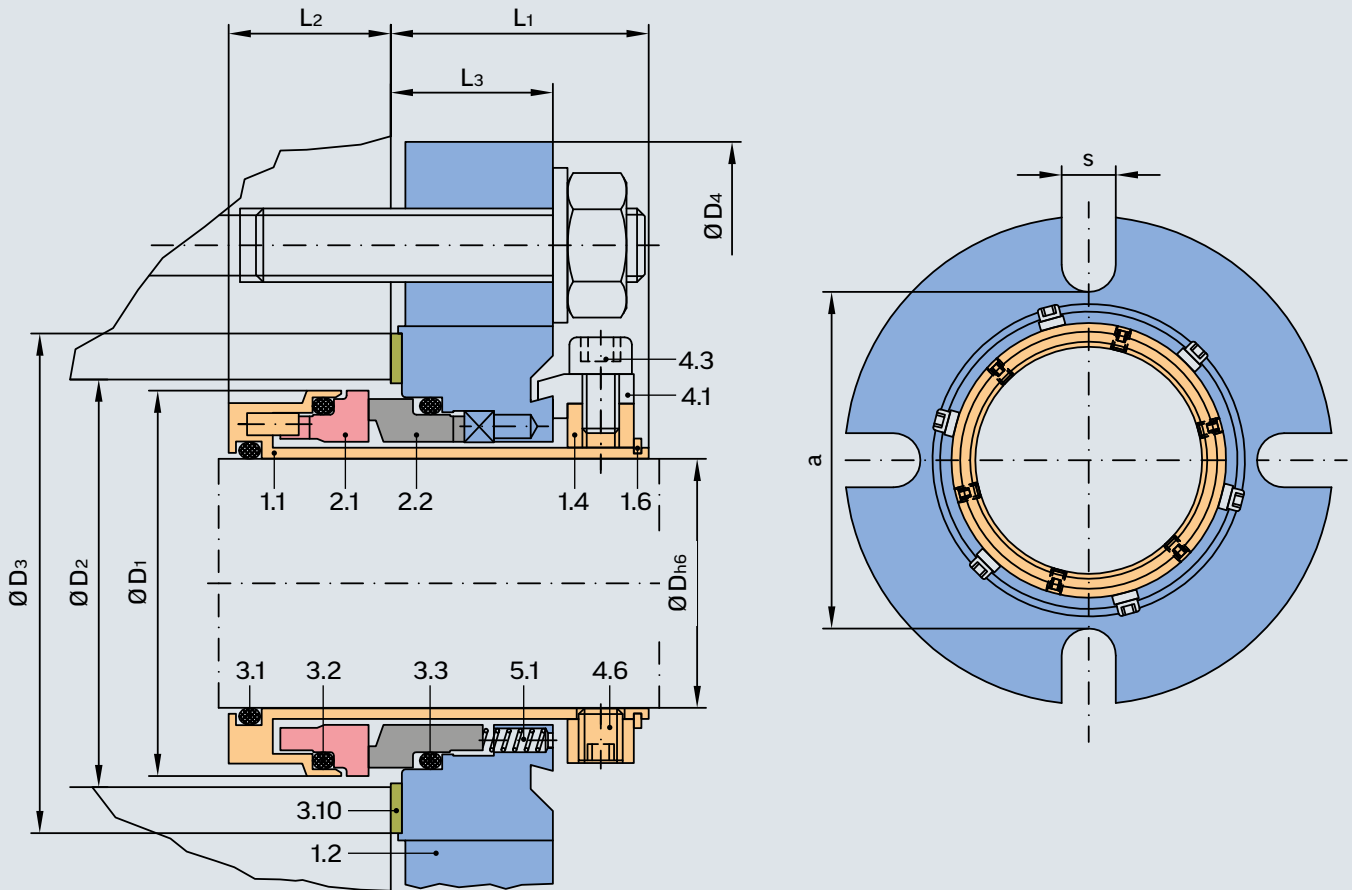
Data sheet



Dimension table Ø 75 - 135 millimetres

D _{h6}	D ₁	D ₂ min.	D ₂ max.	D ₃	D ₄	L ₁	L ₂	L ₃	a	s	O-rings DASH no.		
											3.1	3.2	3.3
75	100	102	114	123	190	36	26	23	125	17.5	234	238	238
80	105	107	119	128	190	36	26	23	130	17.5	236	240	240
85	110	112	124	133	220	36	26	23	135	21.5	237	242	242
90	115	117	129	138	220	36	26	23	140	21.5	239	243	243
95	120	122	134	143	220	36	26	23	145	21.5	240	245	245
100	125	127	139	148	220	36	26	23	150	21.5	242	246	246
105	130	133	144	153	240	36	26	23	155	21.5	244	248	248
110	135	138	149	158	240	36	26	23	160	21.5	245	250	250
115	140	143	154	163	240	36	26	23	165	21.5	247	251	251
120	145	148	159	168	240	36	26	23	170	21.5	248	253	253
125	150	153	164	173	260	36	26	23	175	21.5	250	254	254
130	155	158	169	178	260	36	26	23	180	21.5	251	256	256
135	160	163	174	183	260	36	26	23	185	21.5	253	258	258

Mechanical seal Type 270 Data sheet



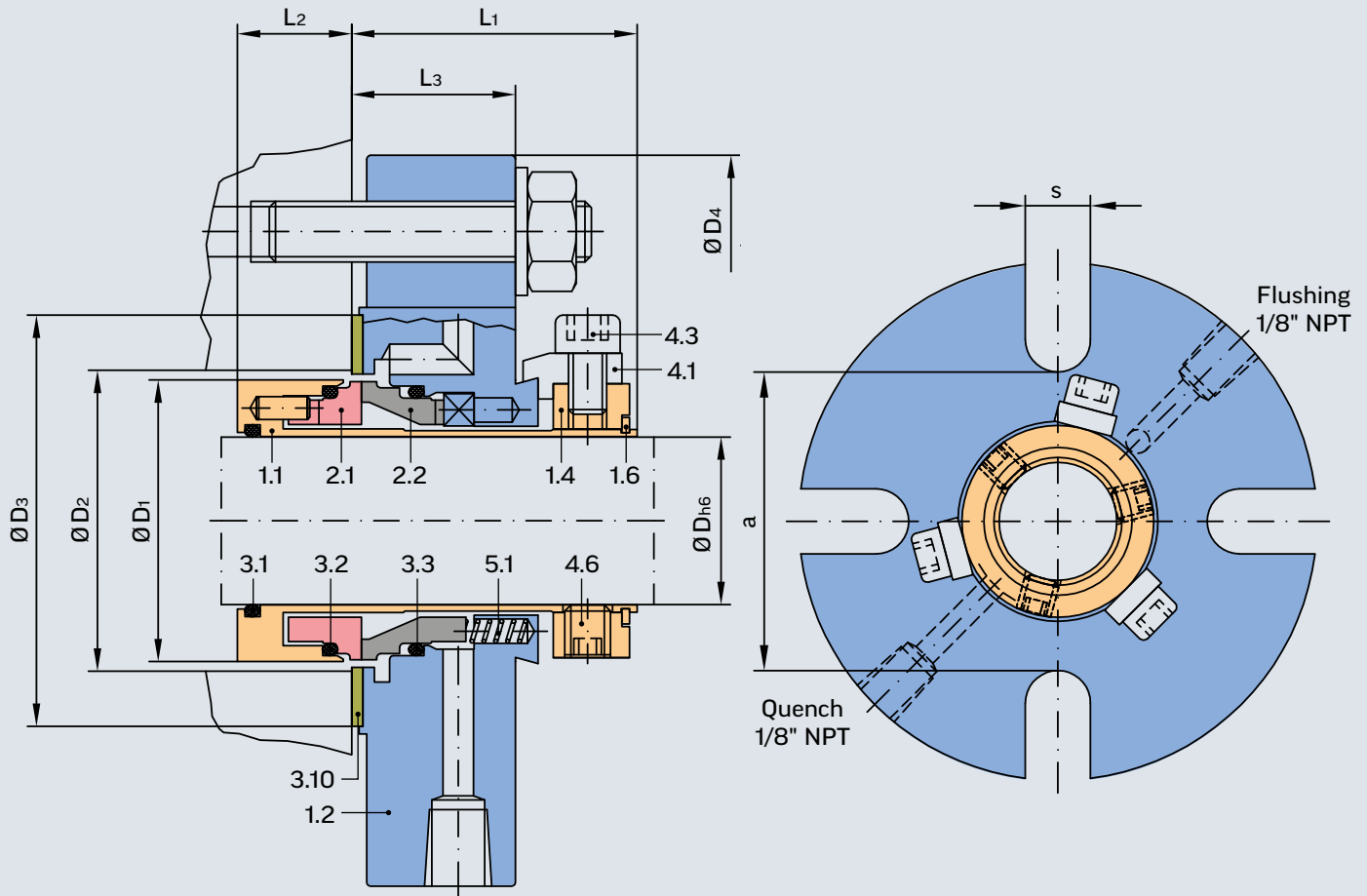
Dimension table Ø 140 - 160 millimetres

Dh6	D1	D2 min.	D2 max.	D3	D4	L1	L2	L3	a	s	O-rings DASH no.		
											3.1	3.2	3.3
140	165	168	179	188	260	36	26	23	190	21.5	255	258	258
145	170	173	184	193	280	36	26	23	195	21.5	256	259	259
150	175	178	189	198	280	36	26	23	200	21.5	258	260	260
155	180	183	194	203	280	36	26	23	205	21.5	259	261	261
160	185	188	199	208	280	36	26	23	210	21.5	260	261	261

Mechanical seal

Type 270

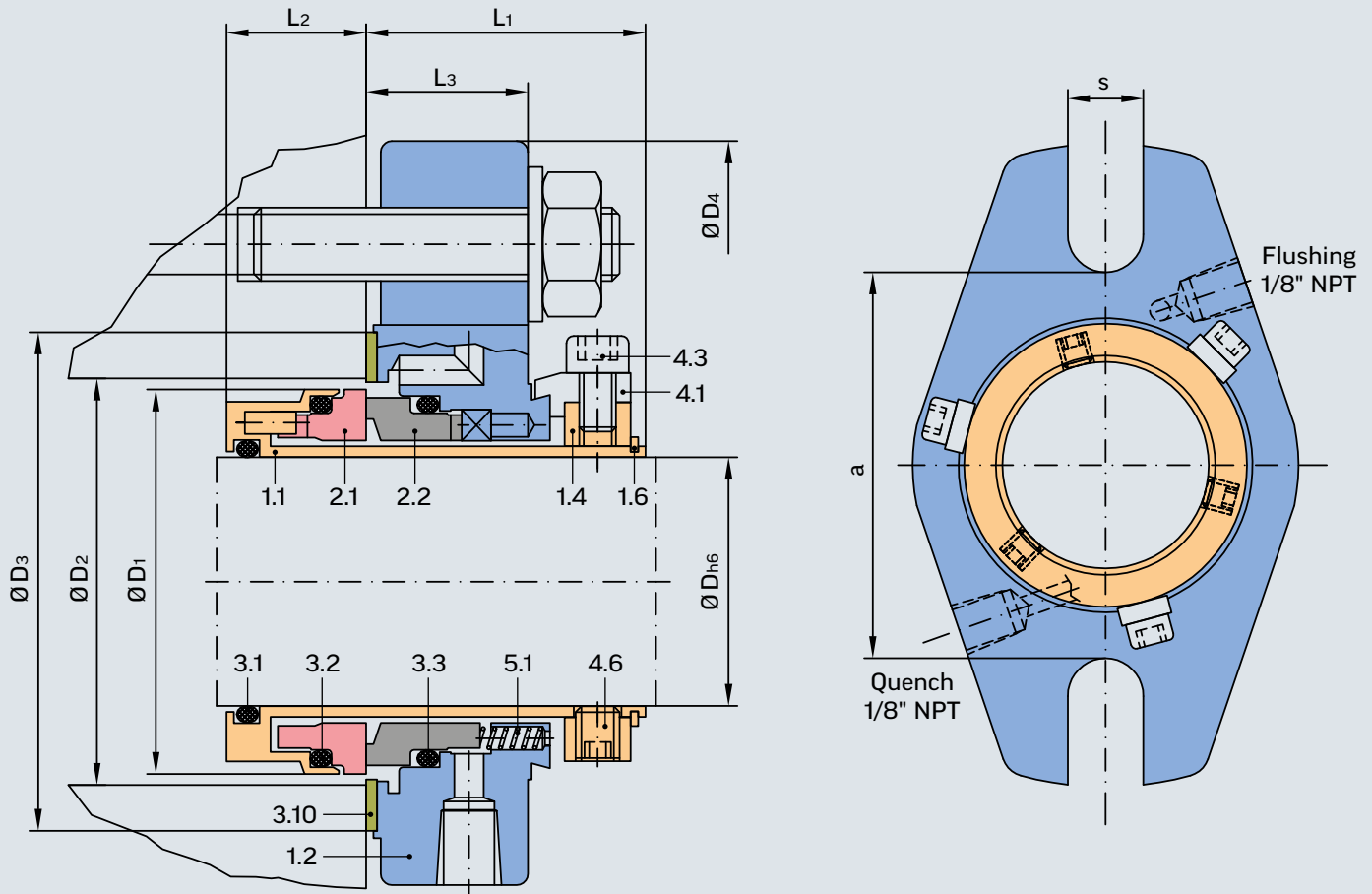
Data sheet



Dimension table $\text{Ø } \frac{5}{8} - \frac{3}{4}$ inches

D _{h6}	D ₁	D ₂ min.	D ₂ max.	D ₃	D ₄	L ₁	L ₂	L ₃	a	s	O-rings DASH no.		
											3.1	3.2	3.3
$\frac{5}{8}$	1.220	1.280	1.535	1.890	3.543	1.476	0.591	0.846	1.969	0.433	017	022	022
$\frac{3}{4}$	1.378	1.437	1.693	2.047	3.937	1.476	0.591	0.846	2.126	0.433	019	025	025

Mechanical seal Type 270 Data sheet



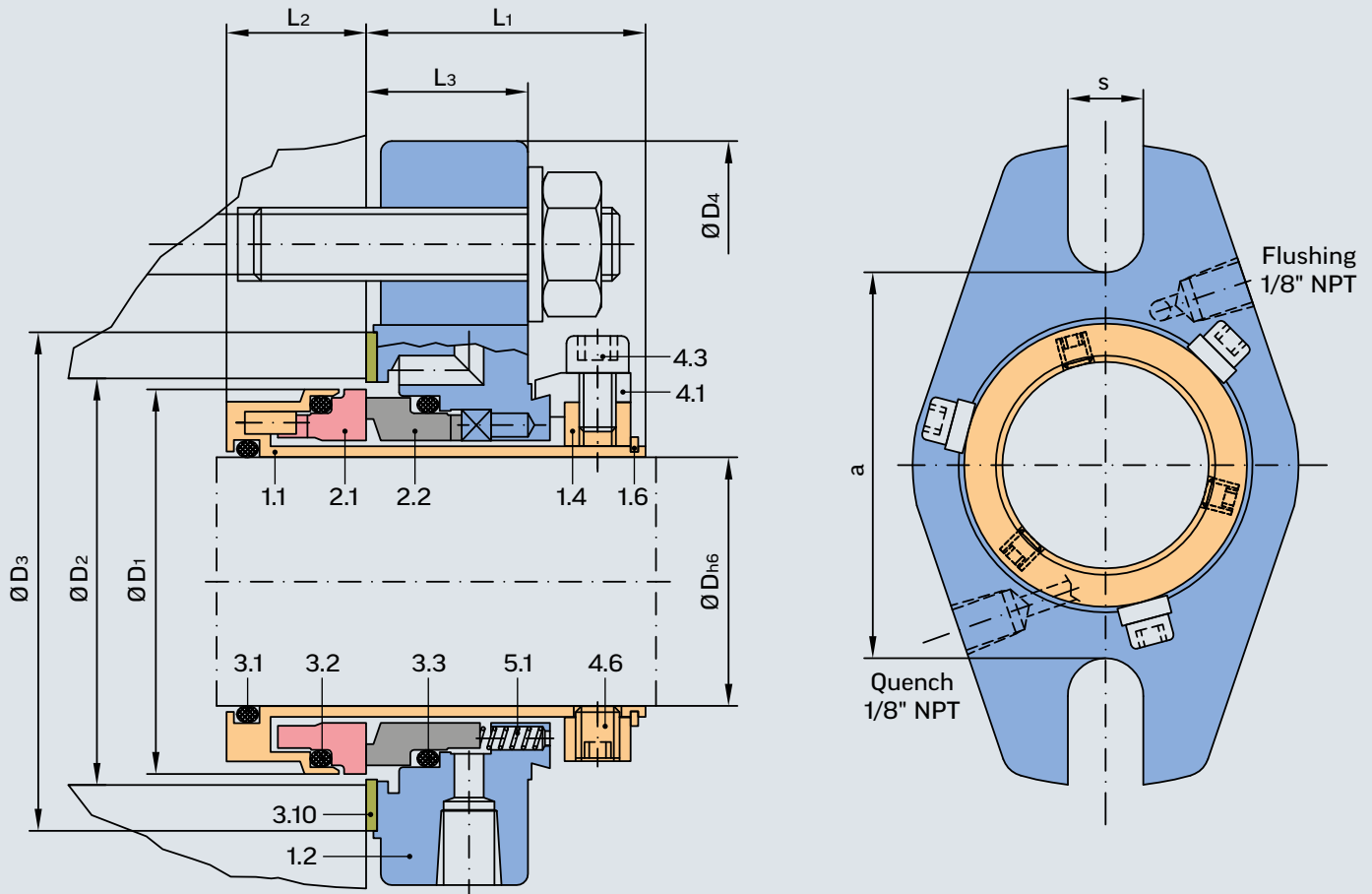
Dimension table Ø 1 - 2 inches

D _{h6}	D ₁	D ₂ min.	D ₂ max.	D ₃	D ₄	L ₁	L ₂	L ₃	a	s	O-rings DASH no.		
											3.1	3.2	3.3
1	1.713	1.791	2.008	2.362	4.094	1.496	0.748	0.866	2.441	0.492	120	127	127
1 ¼	1.831	1.909	2.008	2.362	4.094	1.496	0.748	0.866	2.441	0.492	122	129	129
1 ½	1.988	2.067	2.205	2.559	4.094	1.496	0.748	0.866	2.638	0.492	124	131	131
1 ¾	2.106	2.185	2.323	2.677	4.528	1.496	0.748	0.866	2.756	0.492	126	133	133
1 7/16	2.224	2.303	2.126	2.874	4.921	1.496	0.748	0.866	2.953	0.579	128	136	136
1 ½	2.224	2.303	2.126	2.874	4.921	1.496	0.748	0.866	2.953	0.579	128	136	136
1 ¾	2.382	2.461	2.677	3.071	5.236	1.496	0.748	0.866	3.150	0.579	131	138	138
1 ¾	2.500	2.579	2.756	3.110	5.512	1.496	0.748	0.866	3.189	0.579	133	140	140
1 ¾	2.618	2.697	2.874	3.228	5.512	1.496	0.748	0.866	3.307	0.579	135	142	142
2	2.697	2.776	2.992	3.346	5.512	1.496	0.748	0.866	3.425	0.579	136	143	143

Mechanical seal

Type 270

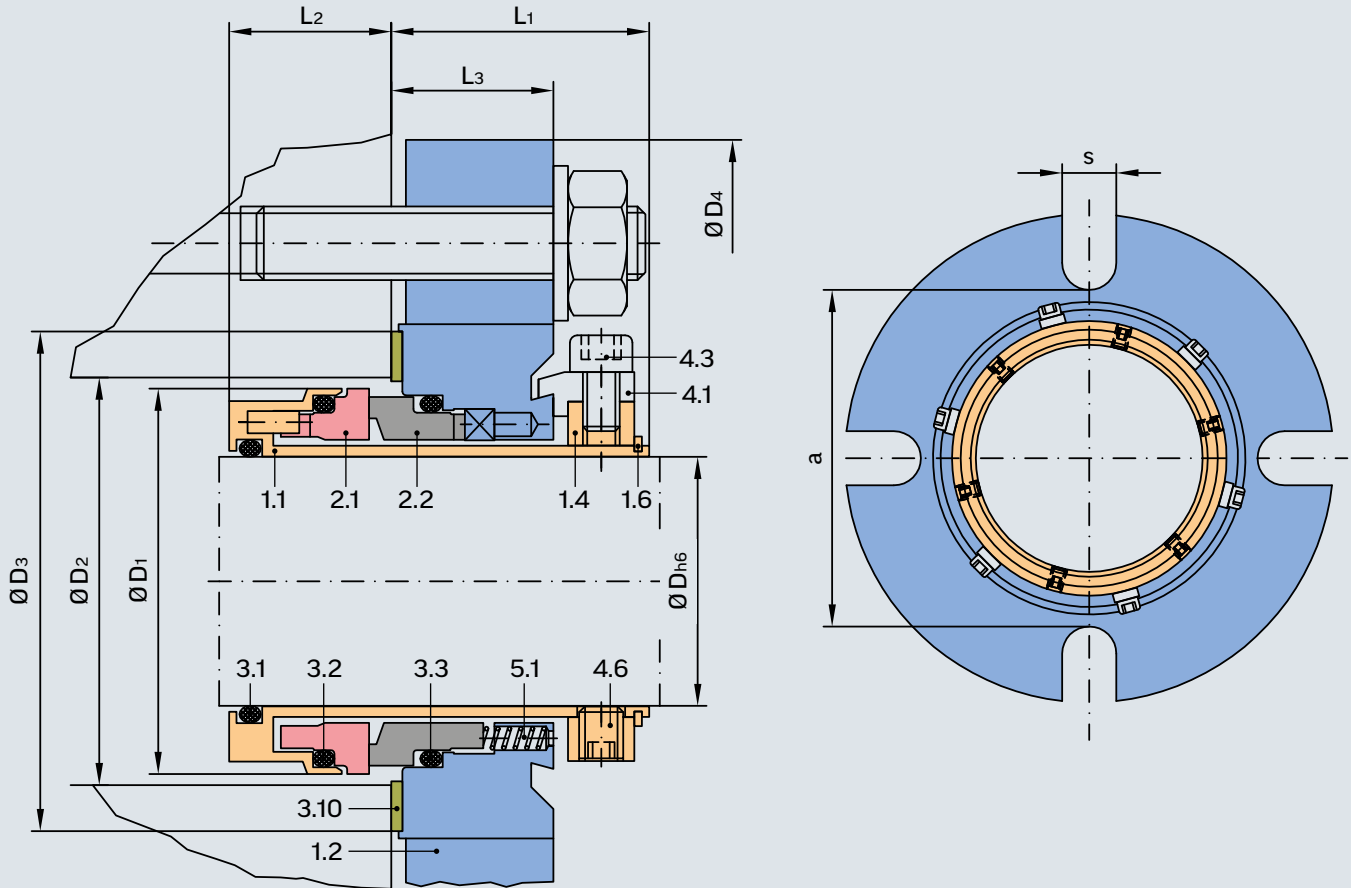
Data sheet



Dimension table $\varnothing 2 \frac{1}{4} - 2 \frac{3}{4}$ inches

D _{h6}	D ₁	D ₂ min.	D ₂ max.	D ₃	D ₄	L ₁	L ₂	L ₃	a	s	O-rings DASH no.		
											3.1	3.2	3.3
2 $\frac{1}{4}$	2.815	2.894	3.110	3.465	5.906	1.496	0.748	0.866	3.543	0.689	138	145	145
2 $\frac{1}{2}$	3.012	3.091	3.307	3.661	6.102	1.496	0.748	0.866	3.740	0.689	140	147	147
2 $\frac{3}{4}$	3.091	3.169	3.504	3.858	6.299	1.496	0.748	0.866	3.937	0.689	142	149	149
2 $\frac{1}{2}$	3.209	3.288	3.622	3.976	6.469	1.496	0.748	0.866	4.055	0.689	144	150	150
2 $\frac{3}{4}$	3.406	3.485	3.898	4.252	6.693	1.496	0.748	0.866	4.331	0.689	146	151	151
2 $\frac{3}{4}$	3.484	3.563	4.291	4.646	7.087	1.496	0.748	0.866	4.724	0.689	149	152	152

Mechanical seal Type 270 Data sheet



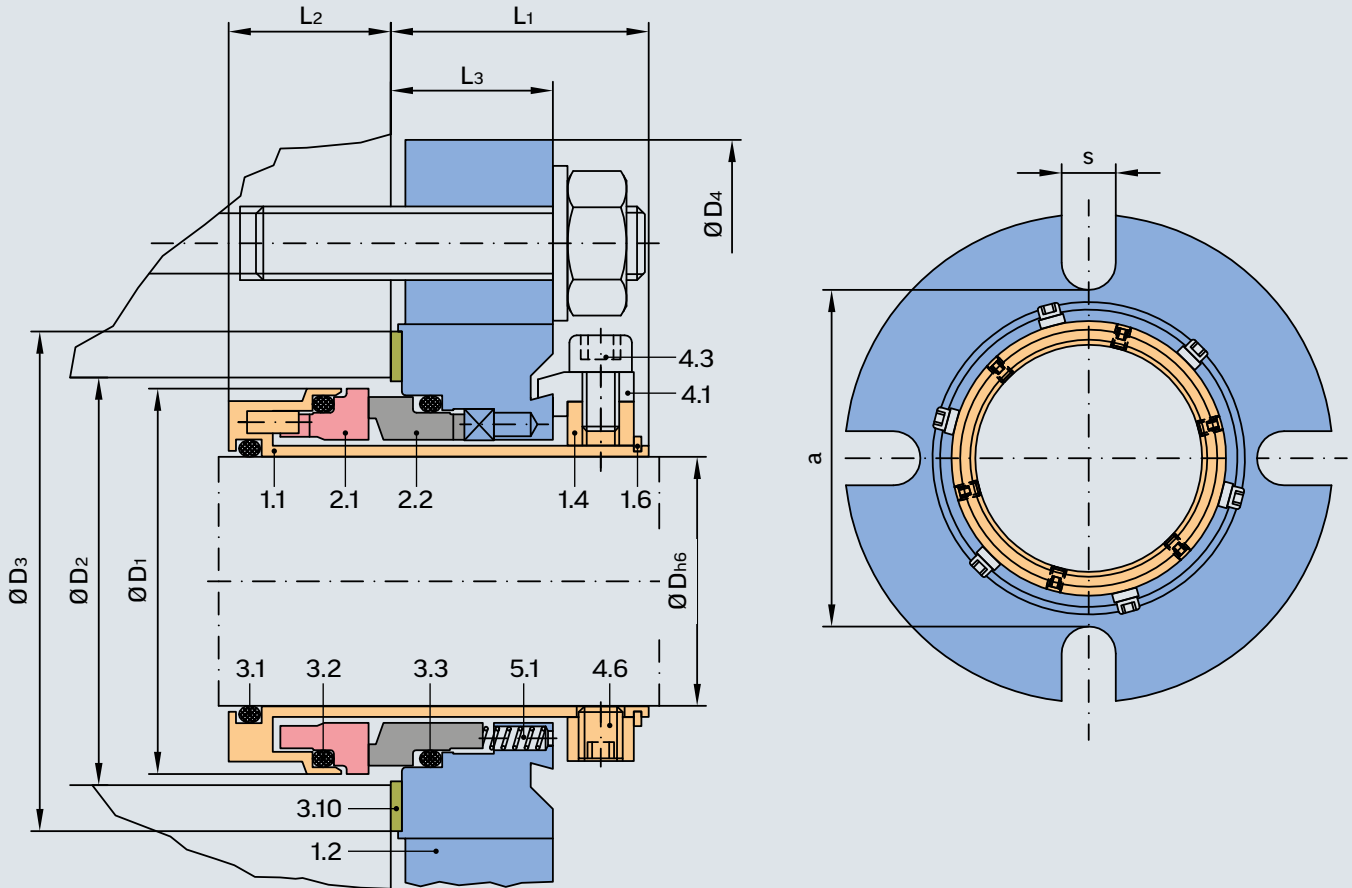
Dimension table Ø 2 7/8 - 4 inches

D _{h6}	D ₁	D ₂ min.	D ₂ max.	D ₃	D ₄	L ₁	L ₂	L ₃	a	s	O-rings DASH no.		
											3.1	3.2	3.3
2 7/8	3.858	3.937	4.409	4.764	7.480	1.417	1.024	0.906	4.843	0.689	233	238	238
3	3.937	4.016	4.488	4.843	7.480	1.417	1.024	0.906	4.921	0.689	234	238	238
3 1/8	4.134	4.213	4.685	5.039	7.480	1.417	1.024	0.906	5.118	0.689	236	240	240
3 1/4	4.252	4.331	4.803	5.157	8.661	1.417	1.024	0.906	5.236	0.846	236	241	241
3 3/8	4.331	4.409	4.882	5.236	8.661	1.417	1.024	0.906	5.315	0.846	237	242	242
3 1/2	4.528	4.606	5.079	5.433	8.661	1.417	1.024	0.906	5.512	0.846	239	243	243
3 5/8	4.606	4.685	5.157	5.512	8.661	1.417	1.024	0.906	5.591	0.846	239	244	244
3 3/4	4.724	4.803	5.276	5.630	8.661	1.417	1.024	0.906	5.709	0.846	240	245	245
3 7/8	4.921	5.000	5.472	5.827	8.661	1.417	1.024	0.906	5.906	0.846	241	246	246
4	4.921	5.000	5.472	5.827	8.661	1.417	1.024	0.906	5.906	0.846	242	246	246

Mechanical seal

Type 270

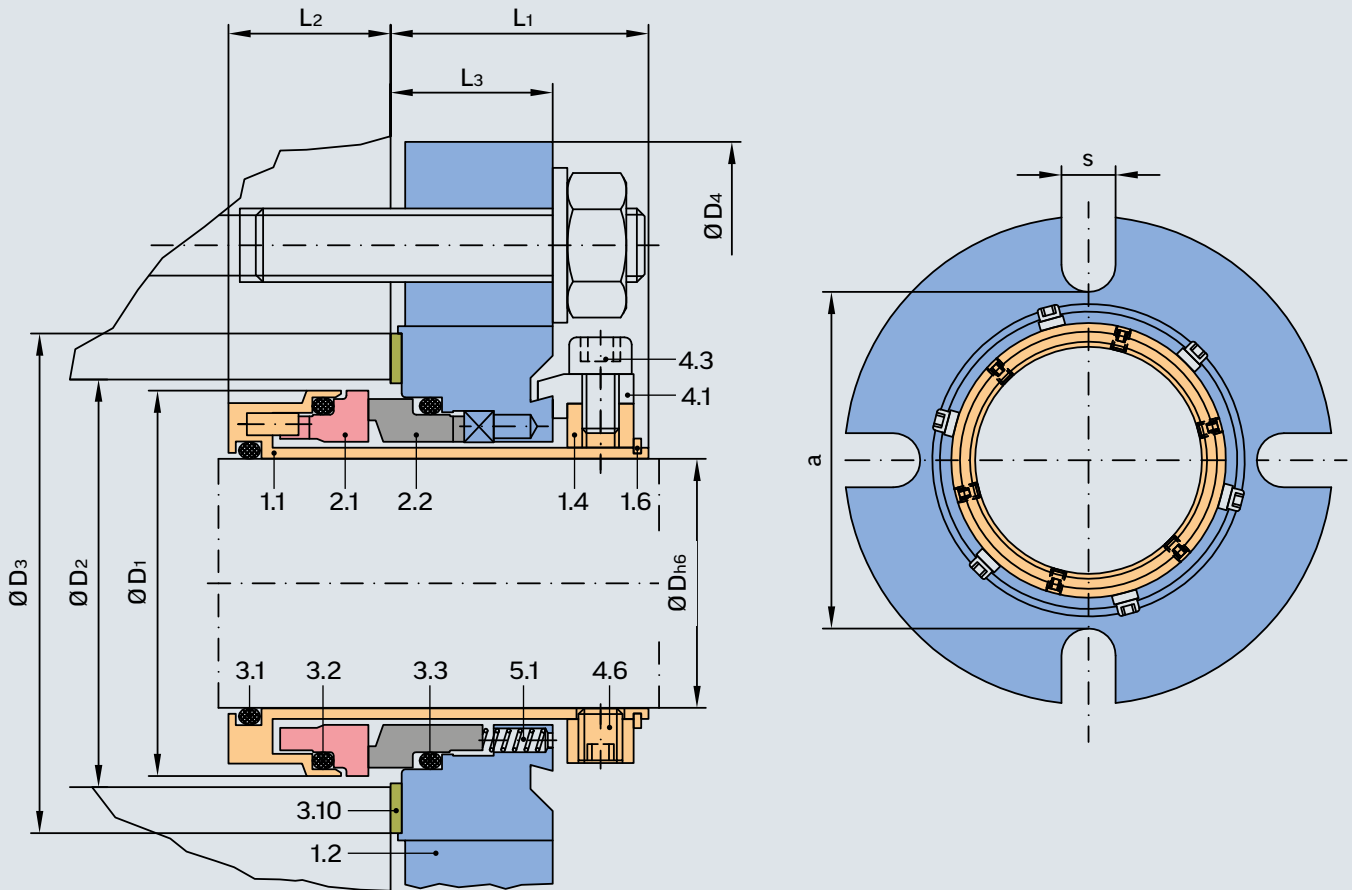
Data sheet



Dimension table $\varnothing 4 \frac{1}{8} - 5 \frac{1}{4}$ inches

Dh6	D1	D2 min.	D2 max.	D3	D4	L1	L2	L3	a	s	O-rings DASH no.		
											3.1	3.2	3.3
4 $\frac{1}{8}$	5.118	5.236	5.669	6.024	9.449	1.417	1.024	0.906	6.102	0.846	243	248	248
4 $\frac{1}{4}$	5.315	5.433	5.866	6.220	9.449	1.417	1.024	0.906	6.299	0.846	244	250	250
4 $\frac{3}{8}$	5.315	5.433	5.866	6.220	9.449	1.417	1.024	0.906	6.299	0.846	245	250	250
4 $\frac{1}{2}$	5.512	5.630	6.063	6.417	9.449	1.417	1.024	0.906	6.496	0.846	246	251	251
4 $\frac{5}{8}$	5.709	5.827	6.260	6.614	9.449	1.417	1.024	0.906	6.693	0.846	247	253	253
4 $\frac{3}{4}$	5.709	5.827	6.260	6.614	9.449	1.417	1.024	0.906	6.693	0.846	248	253	253
4 $\frac{7}{8}$	5.906	6.024	6.457	6.811	10.236	1.417	1.024	0.906	6.890	0.846	249	254	254
5	6.102	6.220	6.654	7.008	10.236	1.417	1.024	0.906	7.087	0.846	250	256	256
5 $\frac{1}{8}$	6.102	6.220	6.654	7.008	10.236	1.417	1.024	0.906	7.087	0.846	251	256	256
5 $\frac{1}{4}$	6.299	6.417	6.850	7.205	10.236	1.417	1.024	0.906	7.283	0.846	252	258	258

Mechanical seal Type 270 Data sheet



Dimension table $\text{Ø } 5 \frac{3}{8} - 6 \frac{1}{4}$ inches

Dh6	D1	D2 min.	D2 max.	D3	D4	L1	L2	L3	a	s	O-rings DASH no.		
											3.1	3.2	3.3
5 $\frac{3}{8}$	6.299	6.417	6.850	7.205	10.236	1.417	1.024	0.906	7.283	0.846	253	258	258
5 $\frac{1}{2}$	6.496	6.614	7.047	7.402	10.236	1.417	1.024	0.906	7.480	0.846	254	258	258
5 $\frac{5}{8}$	6.693	6.811	7.244	7.598	11.024	1.417	1.024	0.906	7.677	0.846	255	259	259
5 $\frac{3}{4}$	6.693	6.811	7.244	7.598	11.024	1.417	1.024	0.906	7.677	0.846	256	259	259
5 $\frac{7}{8}$	6.890	7.008	7.441	7.795	11.024	1.417	1.024	0.906	7.874	0.846	257	260	260
6	7.087	7.205	7.638	7.992	11.024	1.417	1.024	0.906	8.071	0.846	258	261	261
6 $\frac{1}{8}$	7.087	7.205	7.638	7.992	11.024	1.417	1.024	0.906	8.071	0.846	259	261	261
6 $\frac{1}{4}$	7.283	7.402	7.835	8.189	11.024	1.417	1.024	0.906	8.268	0.846	259	261	261