



The DEPAC mechanical seal type 323R is a stationary, tandem-active, double-cartridge mechanical seal with round gland and integrated barrier fluid pumping assistance. The double pressure relief of the seal faces on the product side also ensures that the seal faces do not open in case of pressure reversal - and that the pressure relief for reducing the friction values is present under all pressure conditions.

The product variants in the form of the type 321 and the type 322, which are intended especially for larger seal chamber cross sections, round off the universal range of application for this mechanical seal.

Advantages

- Integrated barrier fluid pumping assistance
- Cartridge-mounted
- Double balanced
- Tandem active
- Independent of the direction of rotation
- Multiple springs made of Hastelloy C
- Springs outside the medium - no blockage of the springs
- Vibration-dampend stationary face support

Mechanical seal

Type 323R

Technical specifications

Area of application*

Pressure:	700 mm Hg to 28 bar
Temperature:	dependent on elastomer
Sliding speed:	up to 35 m/s
Shaft movements:	axial $\geq \varnothing 24 \pm 1.0$ mm radial $\geq \varnothing 24 \pm 0.5$ mm

* The maximum specifications for temperature, pressure and sliding speed apply in each case to independent higher operating conditions. However, this does not mean that the seal will function with all extreme conditions at the same time. If in doubt contact DEPAC.

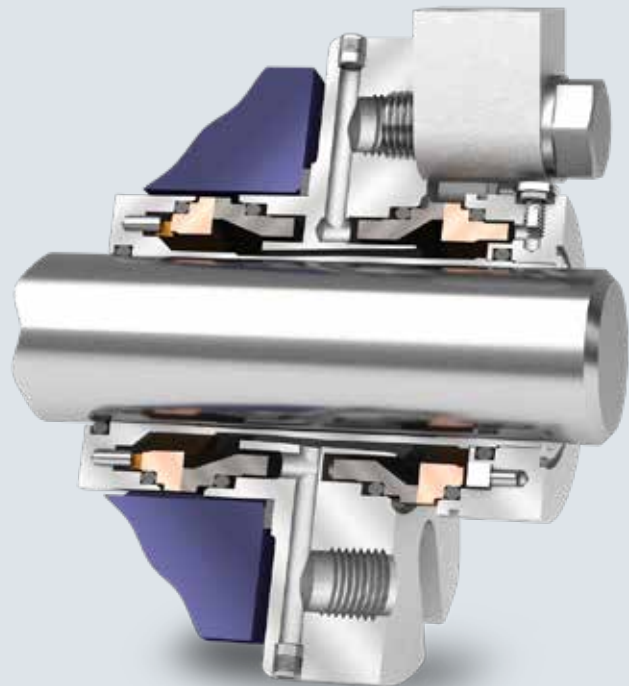
Dimensions

Shaft diameter:	24 – 70 mm 15/16" – 2 3/4" Special sizes on enquiry
-----------------	---

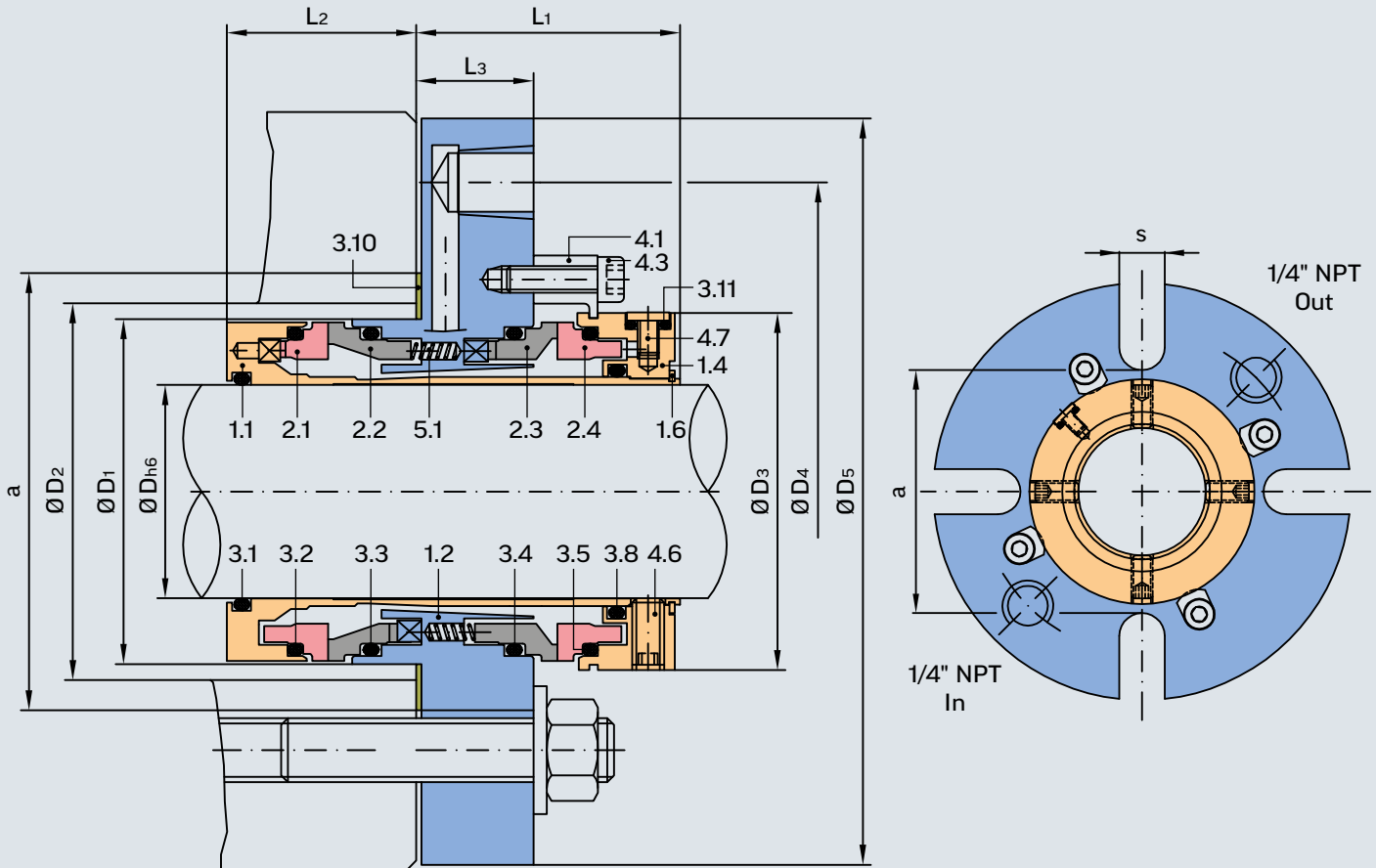
Bill of materials

Item	Description	Material
1.1	Sleeve	1.4571
1.2	Gland	1.4571
1.4	Adjusting ring	1.4571
1.6	Circlip	1.4310
2.1, 2.4	Dynamic seal face	SC/SSIC/TC
2.2, 2.3	Stationary seal face	CA/SC/SSIC/TC
3.1, 3.2, 3.3 3.4, 3.5, 3.8 3.11	O-ring	FKM, EPDM, Kalrez®, PTFE,...
3.10	Flat gasket	Klingersil® C-4300
4.1	Centering piece	Al
4.3	Cheesehead screw	A2
4.6	Threaded pin	A4
4.7	Bleed screw	A2
5.1	Spring	2.4610

Other materials on enquiry!



Mechanical seal Type 323R Data sheet



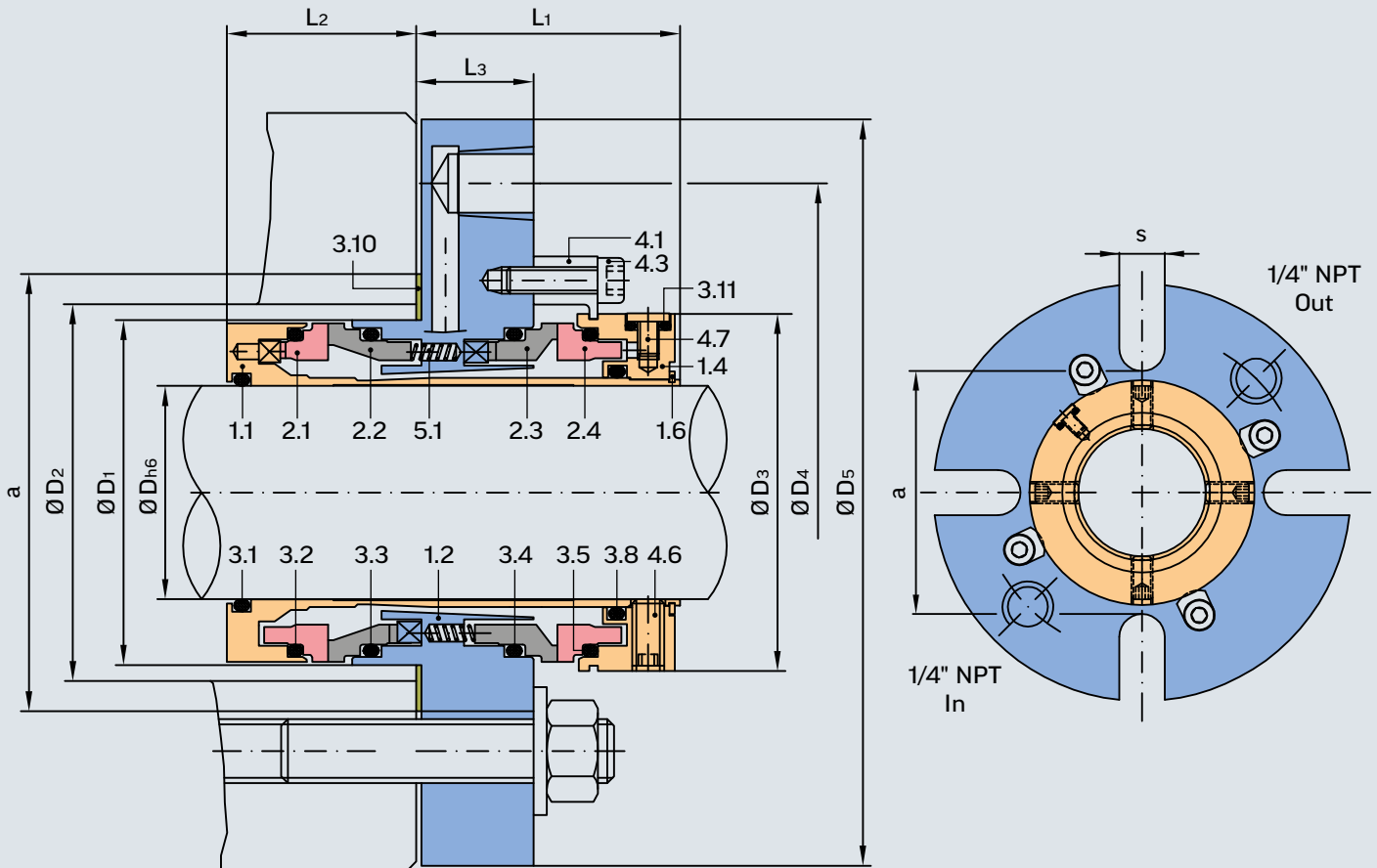
Dimension table Ø 24 – 50 millimetres

D _{h6}	D ₁	D ₂ min.	D ₂ max.	D ₃	D ₄	D ₅	a	s	O-rings DASH no.							
									3.1	3.2	3.3	3.4	3.5	3.8	3.11	
24	49.7	50.2	59	52	89	115	67	12.5	119	130	130	130	130	130	122	007
25	49.7	50.2	59	52	89	115	67	12.5	120	130	130	130	130	130	122	007
28	52.7	53.2	59	55	89	115	67	12.5	122	132	132	132	132	132	124	007
30	54.7	55.2	59	57	89	115	67	12.5	123	133	133	133	133	133	125	007
32	57.7	58.2	67	60	102	130	75	14.7	124	135	135	135	135	135	127	007
33	57.7	58.2	67	60	102	130	75	14.7	125	135	135	135	135	135	127	007
35	59.7	60.2	67	62	102	130	75	14.7	126	137	137	137	137	137	128	007
38	62.7	63.2	74	65	114	140	82	14.7	128	138	138	138	138	138	130	007
40	64.7	65.2	74	67	114	140	82	14.7	130	140	140	140	140	140	132	007
42	66.7	67.2	74	69	114	140	82	14.7	131	141	141	141	141	141	133	007
43	67.7	68.2	74	70	114	140	82	14.7	132	142	142	142	142	142	133	007
45	69.7	70.2	74	72	114	140	82	14.7	133	143	143	143	143	143	135	007
48	72.7	73.2	84	75	122	150	92	17.5	135	145	145	145	145	145	137	007
50	74.7	75.2	84	77	122	150	92	17.5	136	146	146	146	146	146	138	007

Mechanical seal

Type 323R

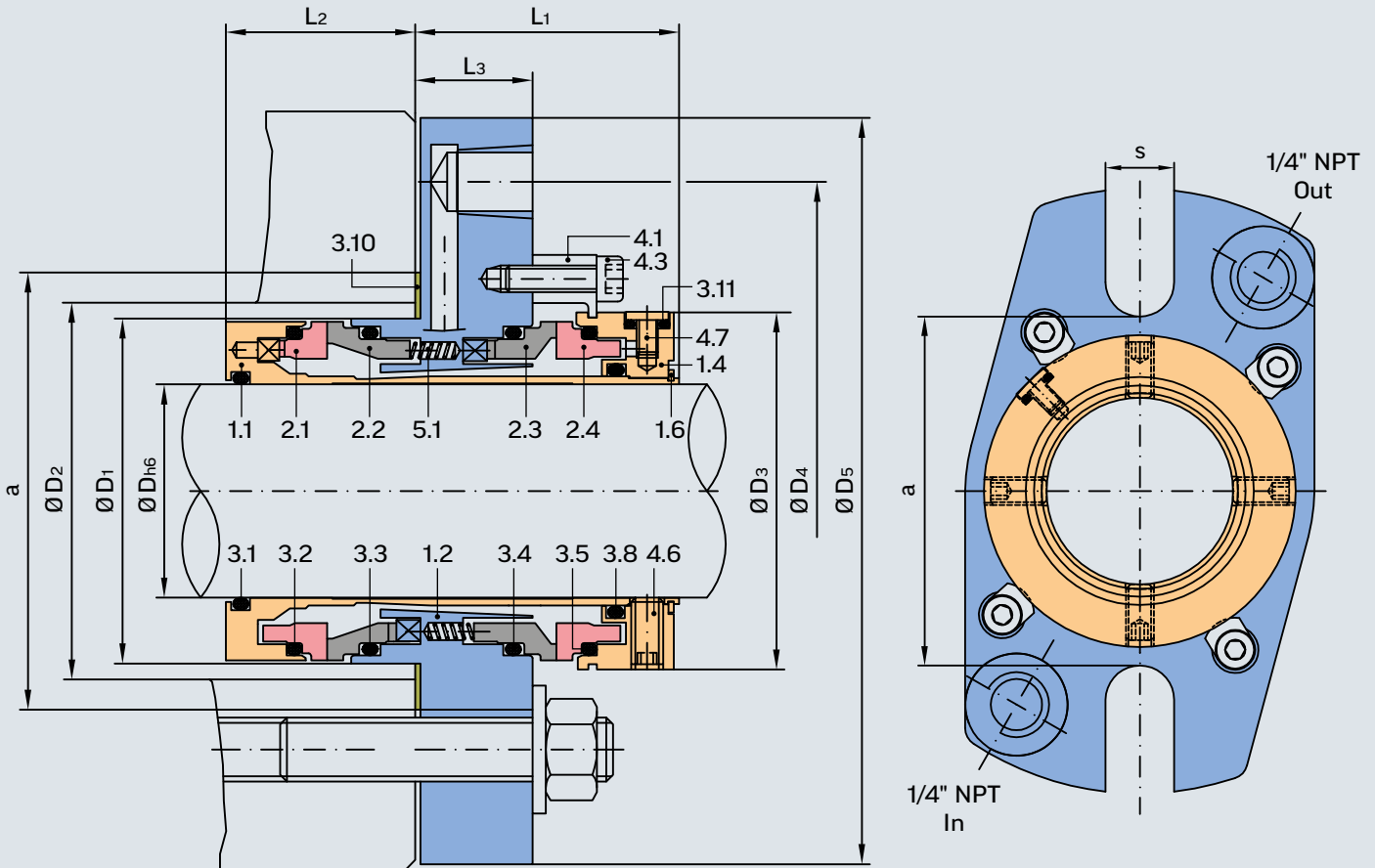
Data sheet



Dimension table Ø 53 - 70 millimetres

Dh6	D1	D2 min.	D2 max.	D3	D4	D5	a	s	O-rings DASH no.							
									3.1	3.2	3.3	3.4	3.5	3.8	3.11	
53	77.7	78.2	84	80	122	150	92	17.5	138	148	148	148	148	148	140	007
55	79.7	80.2	92	82	129	160	100	17.5	139	149	149	149	149	149	141	007
58	82.7	83.2	92	85	129	160	100	17.5	141	150	150	150	150	150	143	007
60	84.7	85.2	92	87	129	160	100	17.5	142	151	151	151	151	151	144	007
63	87.7	88.2	104	90	140	180	112	17.5	144	151	151	151	151	151	146	007
65	89.7	90.2	104	92	140	180	112	17.5	145	152	152	152	152	152	147	007
68	92.7	93.2	104	95	140	180	112	17.5	147	152	152	152	152	152	149	007
70	94.7	95.2	104	97	140	180	112	17.5	149	153	153	153	153	153	150	007

Mechanical seal Type 323R Data sheet



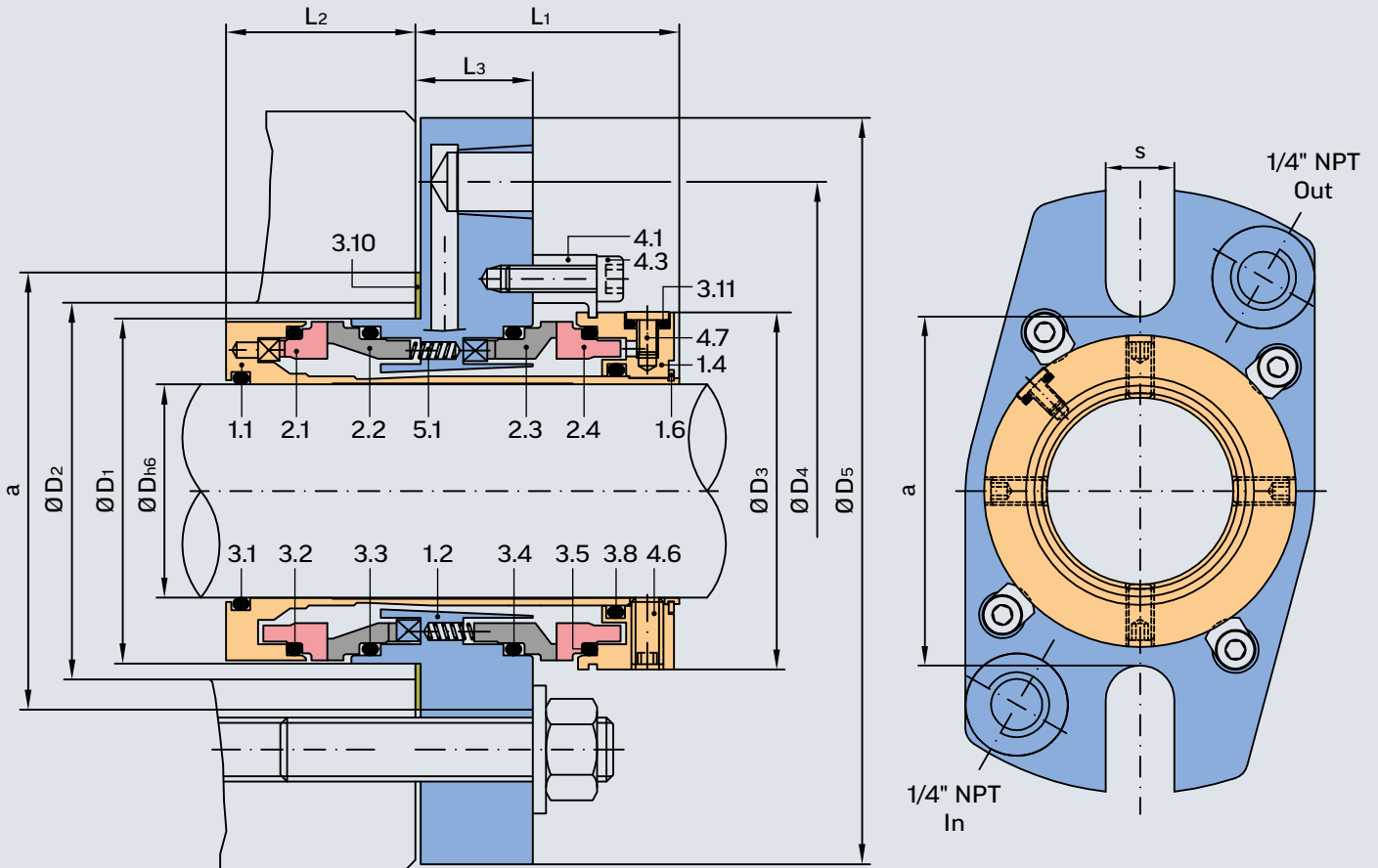
Dimension table $\text{Ø } \frac{15}{16} - 2 \frac{3}{8}$ inches

D _{h6}	D ₁	D ₂ min.	D ₂ max.	D ₃	D ₄	D ₅	a	s	O-rings DASH no.						
									3.1	3.2	3.3	3.4	3.5	3.8	3.11
$\frac{15}{16}$	1.957	2.154	2.323	2.047	3.504	4.528	2.638	0.492	119	130	130	130	130	122	007
1	1.957	2.154	2.323	2.047	3.504	4.528	2.638	0.492	120	130	130	130	130	122	007
$1 \frac{1}{8}$	2.075	2.272	2.323	2.165	3.504	4.528	2.638	0.492	122	132	132	132	132	124	007
$1 \frac{1}{4}$	2.272	2.469	2.638	2.323	4.016	5.118	2.953	0.579	124	135	135	135	135	127	007
$1 \frac{3}{8}$	2.350	2.547	2.638	2.441	4.016	5.118	2.953	0.579	126	137	137	137	137	128	007
$1 \frac{7}{16}$	2.429	2.626	2.913	2.520	4.488	5.512	3.228	0.579	127	138	138	138	138	130	007
$1 \frac{1}{2}$	2.469	2.666	2.913	2.559	4.488	5.512	3.228	0.579	128	138	138	138	138	130	007
$1 \frac{5}{8}$	2.626	2.823	2.913	2.717	4.488	5.512	3.228	0.579	131	141	141	141	141	133	007
$1 \frac{3}{4}$	2.744	2.941	2.913	2.835	4.488	5.512	3.228	0.579	133	143	143	143	143	135	007
$1 \frac{7}{8}$	2.862	3.059	3.307	2.953	4.803	5.906	3.622	0.689	135	145	145	145	145	137	007
2	2.941	3.138	3.307	3.031	4.803	5.906	3.622	0.689	136	146	146	146	146	138	007
$2 \frac{1}{8}$	3.059	3.256	3.307	3.150	4.803	5.906	3.622	0.689	138	148	148	148	148	140	007
$2 \frac{1}{4}$	3.217	3.414	3.622	3.307	5.079	6.299	3.937	0.689	140	150	150	150	150	142	007
$2 \frac{3}{8}$	3.335	3.532	3.622	3.425	5.079	6.299	3.937	0.689	142	151	151	151	151	144	007

Mechanical seal

Type 323R

Data sheet

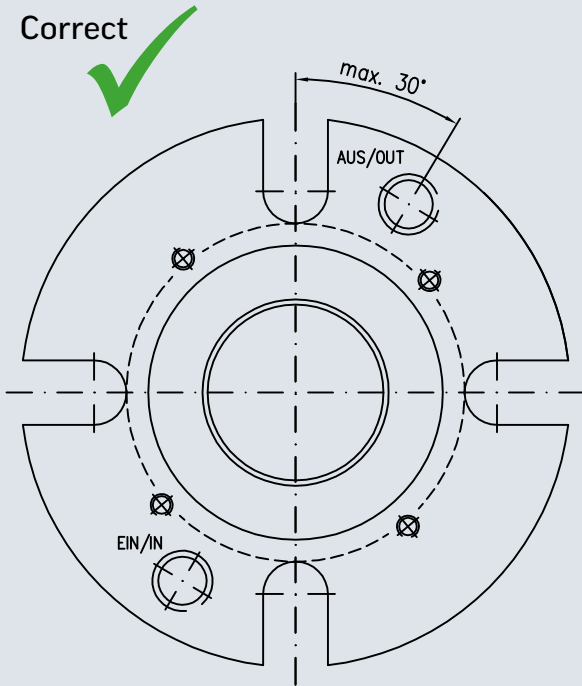


Dimension table $\text{Ø } 2\frac{1}{2} - 2\frac{3}{4}$ inches

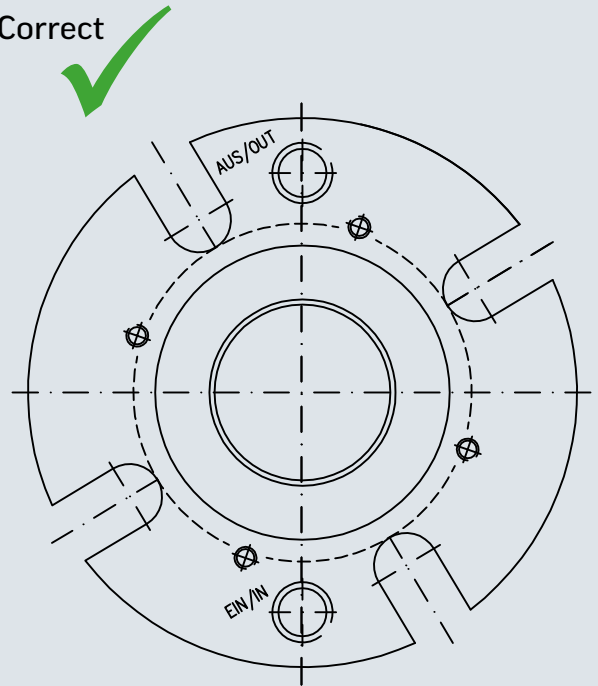
D _{h6}	D ₁	D _{2 min.}	D _{2 max.}	D ₃	D ₄	D ₅	a	s	O-rings DASH no.						
									3.1	3.2	3.3	3.4	3.5	3.8	3.11
2 ½	3.453	3.650	4.094	3.543	5.512	7.087	4.409	0.689	144	151	151	151	151	146	007
2 ⅝	3.610	3.807	4.094	3.701	5.512	7.087	4.409	0.689	146	152	152	152	152	148	007
2 ¾	3.728	3.925	4.094	3.819	5.512	7.087	4.409	0.689	149	153	153	153	153	150	007

Mechanical seal Type 323R Installation position

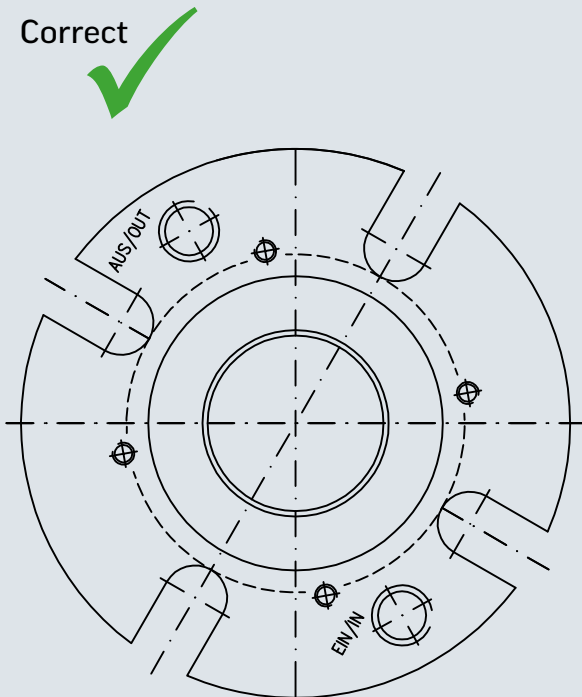
Correct



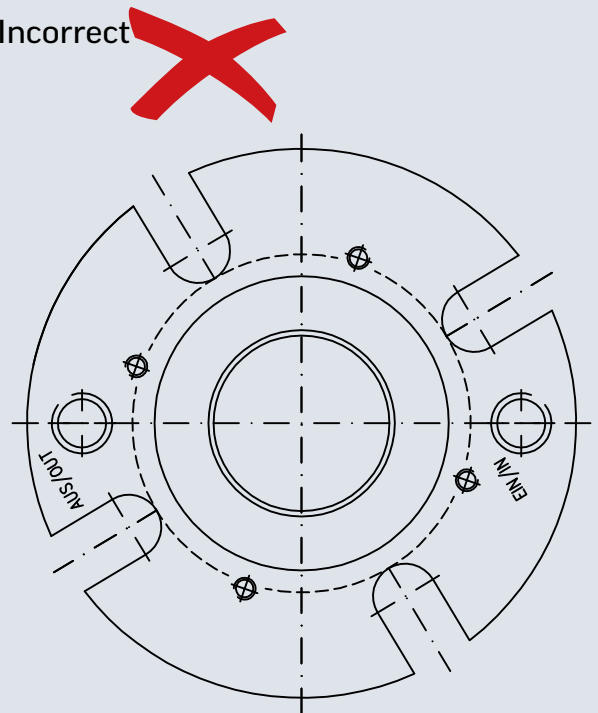
Correct



Correct

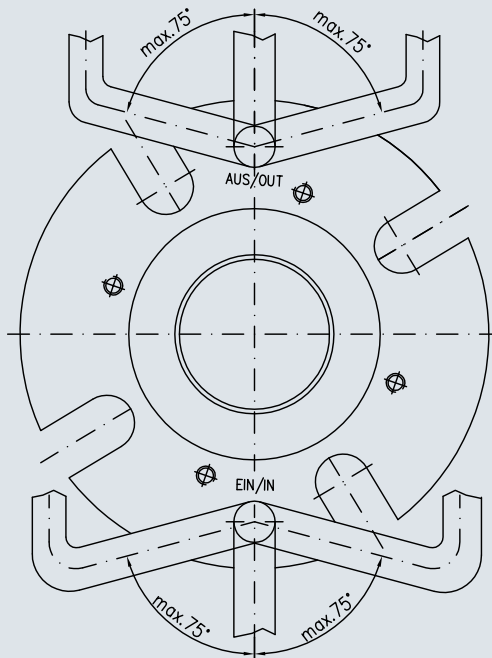


Incorrect



Mechanical seal Type 323R Pipe installation

Correct



Incorrect

