



The DEPAC mechanical seal type 323 is a stationary, tandem-active double-cartridge mechanical seal with integrated barrier fluid pumping assistance. The double pressure relief of the seal faces on the product side also ensures that the seal faces do not open in case of pressure reversal - and that the pressure relief for reducing the friction values is present under all pressure conditions.

The product variants in the form of the type 321 and the type 322, which are intended especially for larger seal chamber cross sections, round off the universal range of application for this mechanical seal.

Advantages

- Integrated barrier fluid pumping assistance
- Cartridge-mounted
- Double balanced
- Tandem active
- Independent of the direction of rotation
- Multiple springs made of Hastelloy C
- Springs outside the medium - no blockage of the springs
- Vibration-dampend stationary face support

Mechanical seal

Type 323

Technical specifications

Area of application*

Pressure:	700 mm Hg to 28 bar
Temperature:	dependent on elastomer
Sliding speed:	up to 35 m/s
Shaft movements:	axial $\leq \varnothing 22 \pm 0.5 \text{ mm} \mid \geq \varnothing 24 \pm 1.0 \text{ mm}$ radial $\leq \varnothing 22 \pm 0.4 \text{ mm} \mid \geq \varnothing 24 \pm 0.5 \text{ mm}$

* The maximum specifications for temperature, pressure and sliding speed apply in each case to independent higher operating conditions. However, this does not mean that the seal will function with all extreme conditions at the same time. If in doubt contact DEPAC.

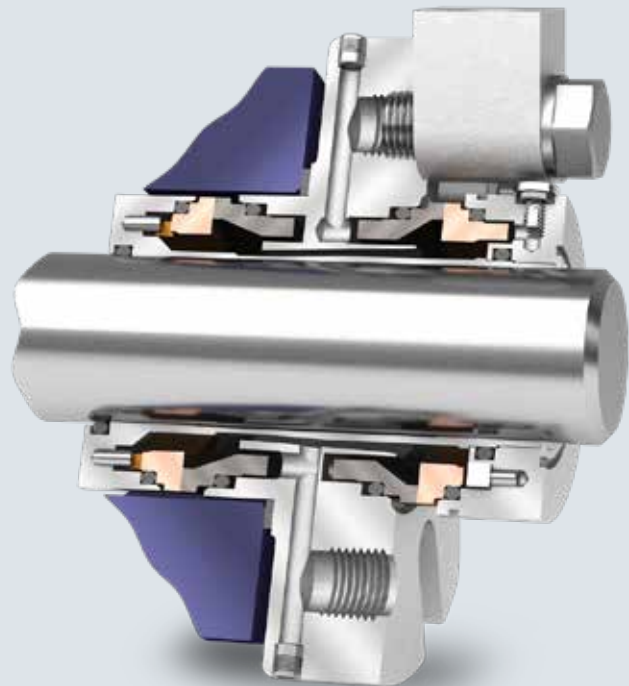
Dimensions

Shaft diameter:	24 – 160 mm 15/16" – 6 1/4" Special sizes on enquiry
-----------------	--

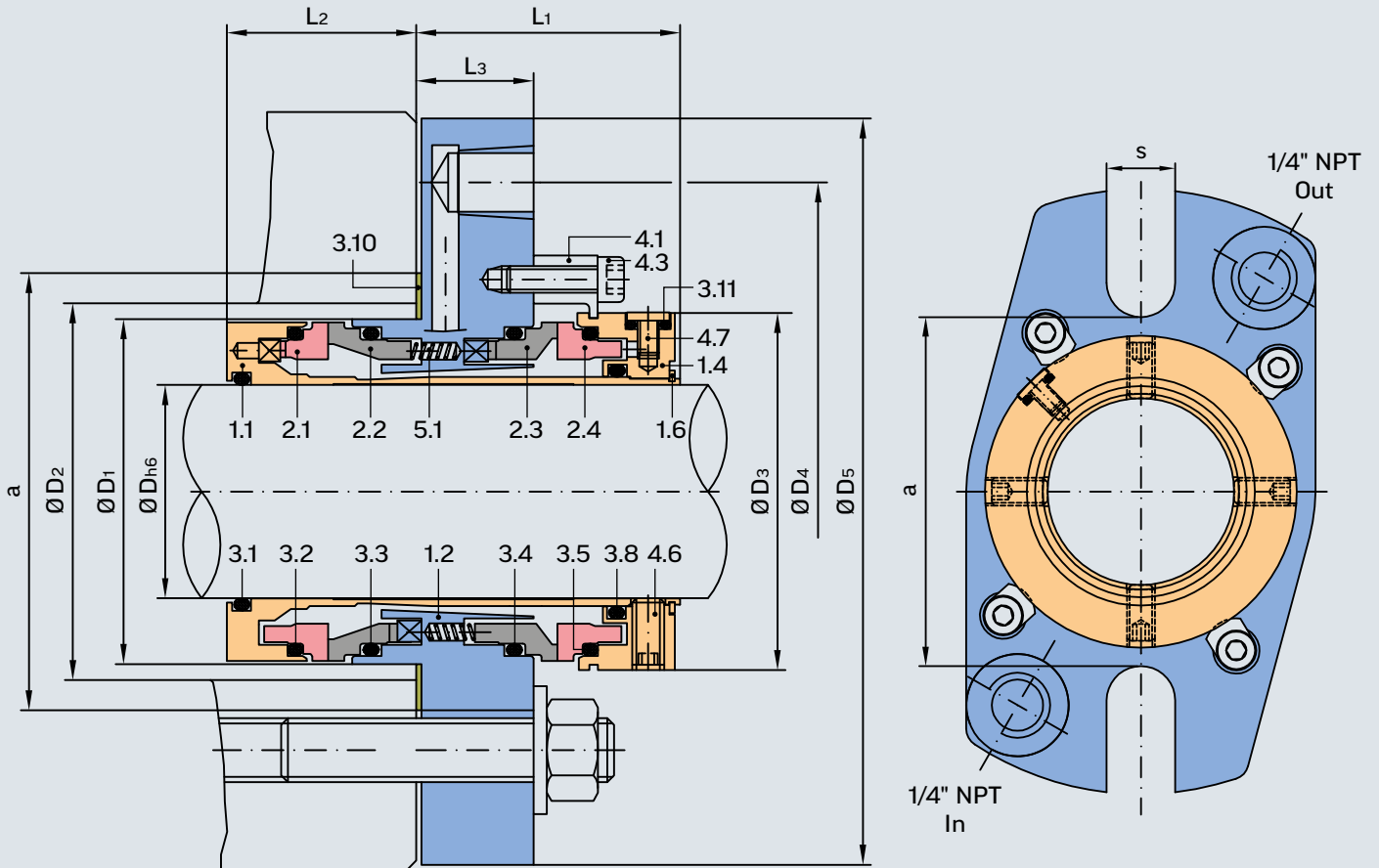
Bill of materials

Item	Description	Material
1.1	Sleeve	1.4571
1.2	Gland	1.4571
1.4	Adjusting ring	1.4571
1.6	Circlip	1.4310
2.1, 2.4	Dynamic seal face	SC/SSIC/TC
2.2, 2.3	Stationary seal face	CA/SC/SSIC/TC
3.1, 3.2, 3.3 3.4, 3.5, 3.8 3.11	O-ring	FKM, EPDM, Kalrez®, PTFE,...
3.10	Flat gasket	Klingersil® C-4300
4.1	Centering piece	Al
4.3	Cheesehead screw	A2
4.6	Threaded pin	A4
4.7	Bleed screw	A2
5.1	Spring	2.4610

Other materials on enquiry!



Mechanical seal Type 323 Data sheet



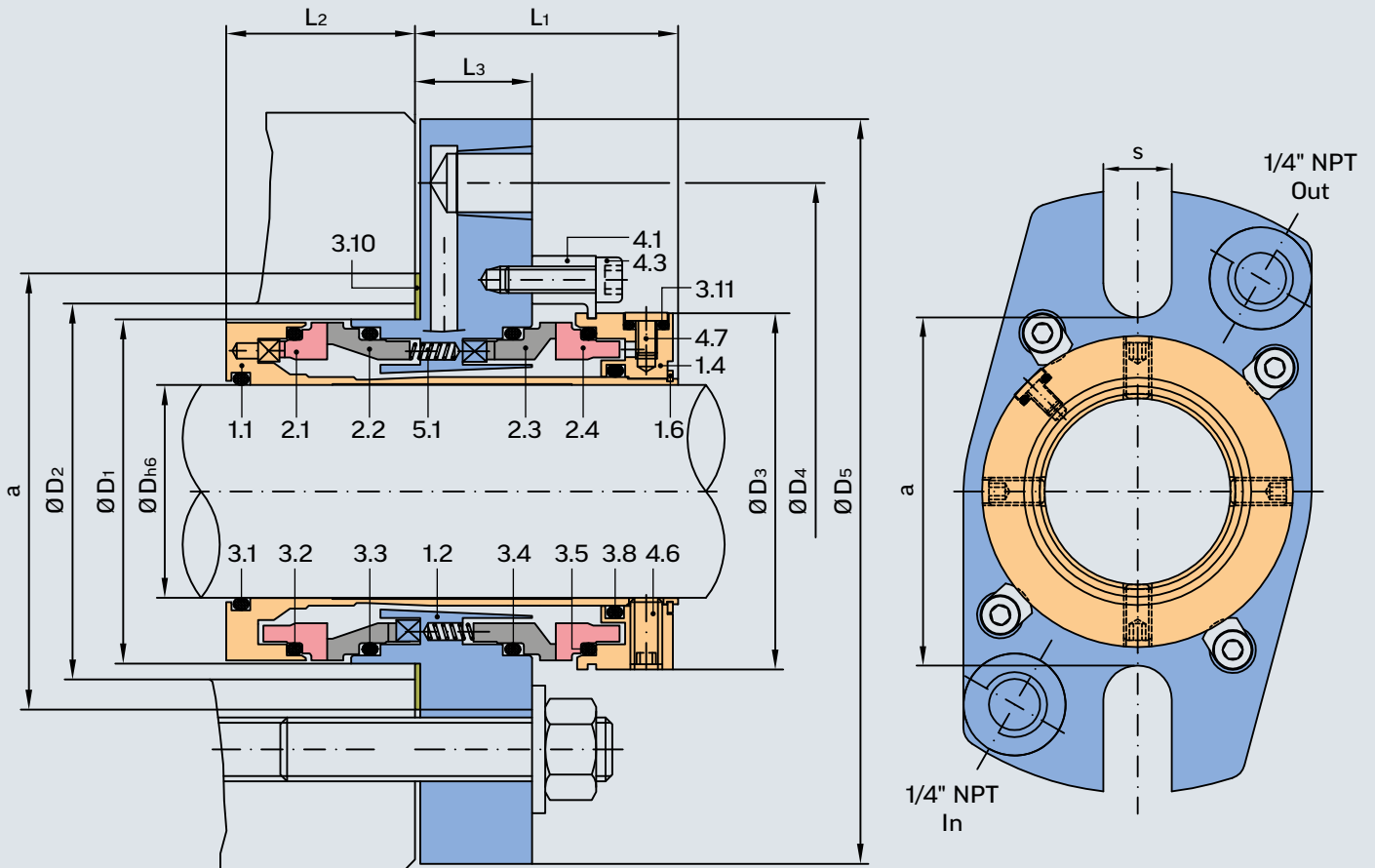
Dimension table Ø 24 – 50 millimetres

D _{h6}	D ₁	D ₂ min.	D ₂ max.	D ₃	D ₄	D ₅	a	s	O-rings DASH no.							
									3.1	3.2	3.3	3.4	3.5	3.8	3.11	
24	49.7	50.2	59	52	89	115	67	12.5	119	130	130	130	130	130	122	007
25	49.7	50.2	59	52	89	115	67	12.5	120	130	130	130	130	130	122	007
28	52.7	53.2	59	55	89	115	67	12.5	122	132	132	132	132	132	124	007
30	54.7	55.2	59	57	89	115	67	12.5	123	133	133	133	133	133	125	007
32	57.7	58.2	67	60	102	130	75	14.7	124	135	135	135	135	135	127	007
33	57.7	58.2	67	60	102	130	75	14.7	125	135	135	135	135	135	127	007
35	59.7	60.2	67	62	102	130	75	14.7	126	137	137	137	137	137	128	007
38	62.7	63.2	74	65	114	140	82	14.7	128	138	138	138	138	138	130	007
40	64.7	65.2	74	67	114	140	82	14.7	130	140	140	140	140	140	132	007
42	66.7	67.2	74	69	114	140	82	14.7	131	141	141	141	141	141	133	007
43	67.7	68.2	74	70	114	140	82	14.7	132	142	142	142	142	142	133	007
45	69.7	70.2	74	72	114	140	82	14.7	133	143	143	143	143	143	135	007
48	72.7	73.2	84	75	122	150	92	17.5	135	145	145	145	145	145	137	007
50	74.7	75.2	84	77	122	150	92	17.5	136	146	146	146	146	146	138	007

Mechanical seal

Type 323

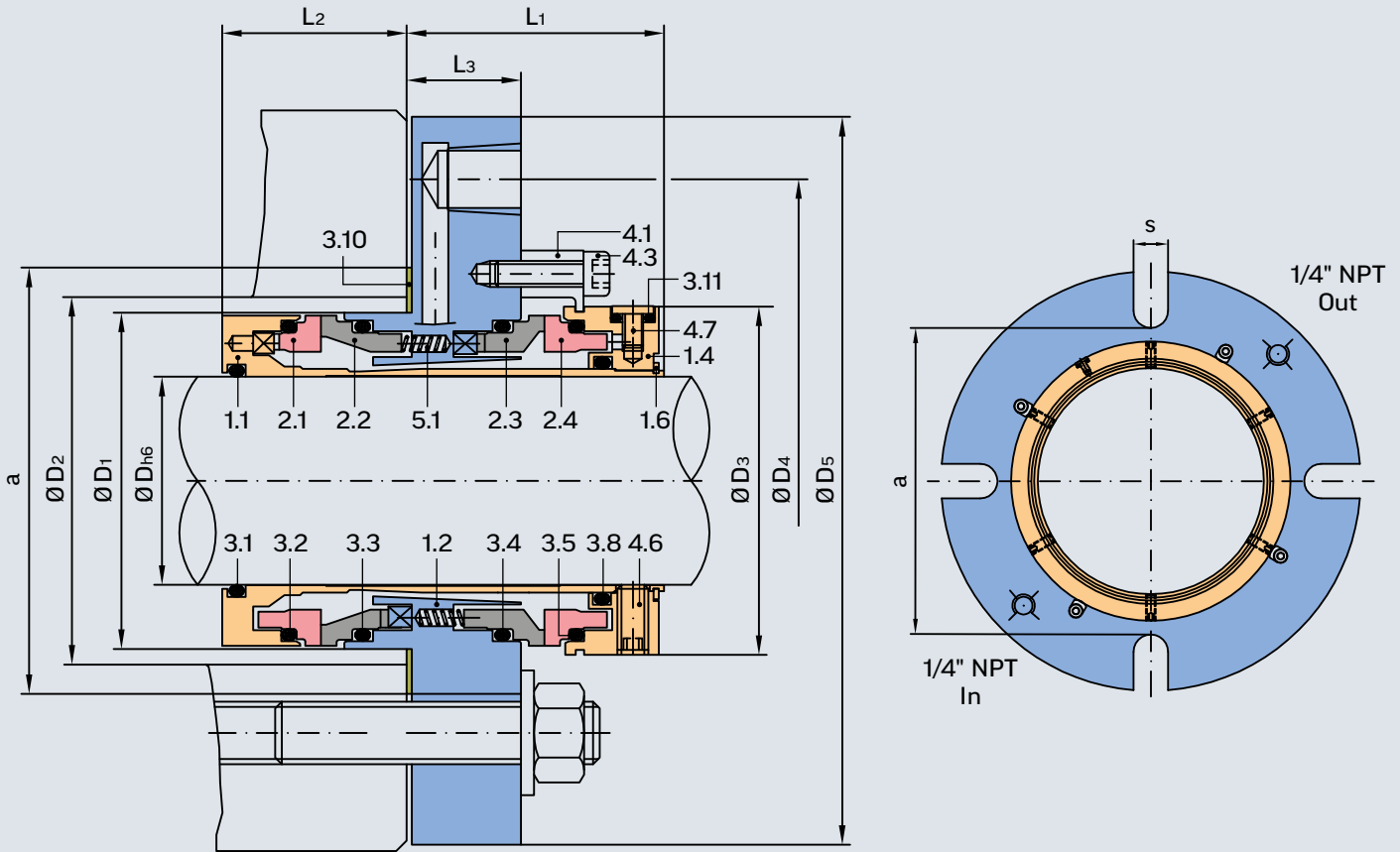
Data sheet



Dimension table Ø 53 - 70 millimetres

D _{h6}	D ₁	D _{2 min.}	D _{2 max.}	D ₃	D ₄	D ₅	a	s	O-rings DASH no.							
									3.1	3.2	3.3	3.4	3.5	3.8	3.11	
53	77.7	78.2	84	80	122	150	92	17.5	138	148	148	148	148	148	140	007
55	79.7	80.2	92	82	129	160	100	17.5	139	149	149	149	149	149	141	007
58	82.7	83.2	92	85	129	160	100	17.5	141	150	150	150	150	150	143	007
60	84.7	85.2	92	87	129	160	100	17.5	142	151	151	151	151	151	144	007
63	87.7	88.2	104	90	140	180	112	17.5	144	151	151	151	151	151	146	007
65	89.7	90.2	104	92	140	180	112	17.5	145	152	152	152	152	152	147	007
68	92.7	93.2	104	95	140	180	112	17.5	147	152	152	152	152	152	149	007
70	94.7	95.2	104	97	140	180	112	17.5	149	153	153	153	153	153	150	007

Mechanical seal Type 323 Data sheet



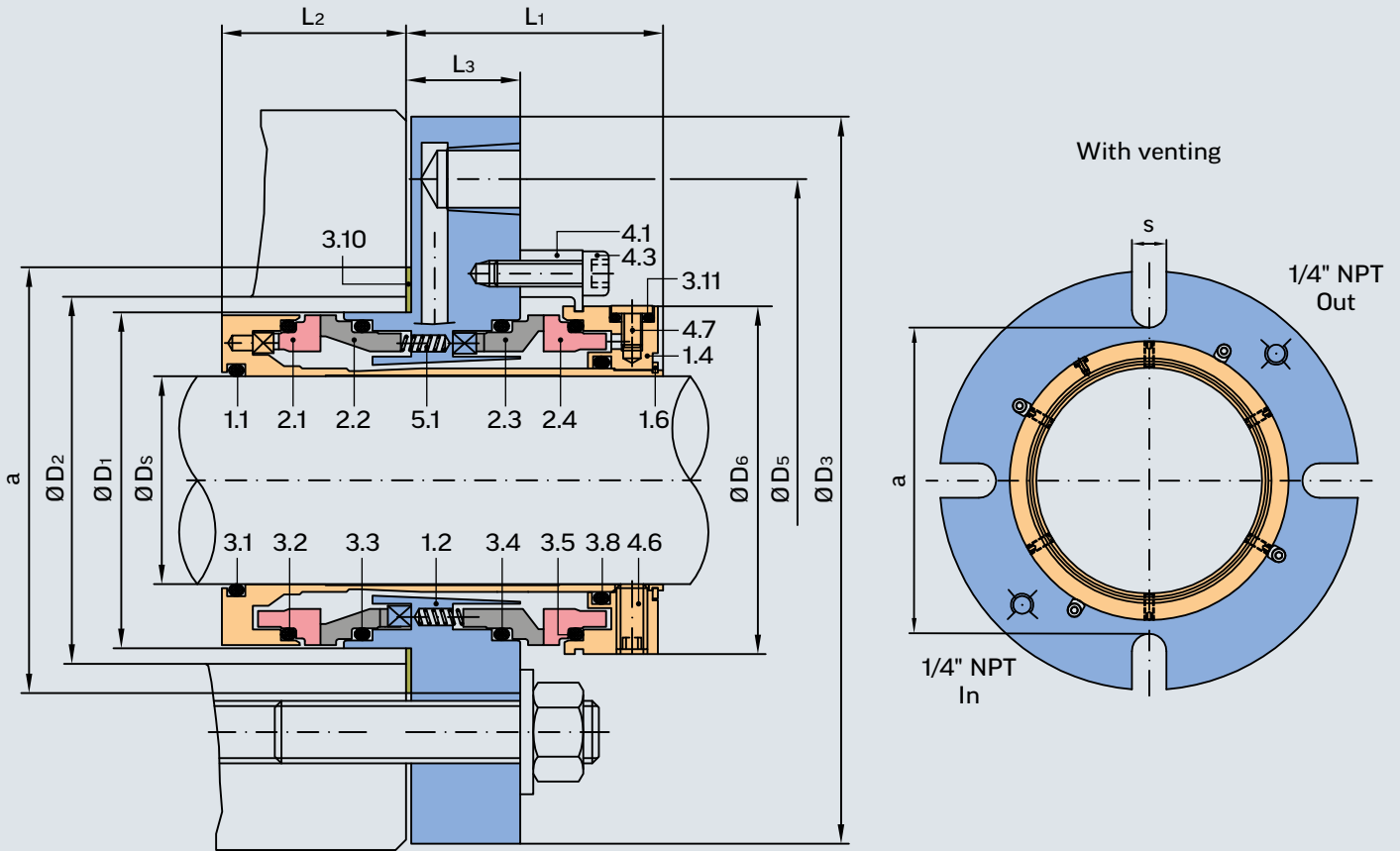
Dimension table Ø 75 - 140 millimetres

D _{h6}	D ₁	D ₂ min.	D ₂ max.	D ₃	D ₄	D ₅	a	s	O-rings DASH no.						
									3.1	3.2	3.3	3.4	3.5	3.8	3.11
75	107.8	108.3	122	108	160	190	130	17.5	234	240	240	240	240	152	007
80	112.8	113.3	127	113	190	220	135	17.5	236	242	242	242	242	153	007
85	117.8	118.3	132	118	190	220	140	21.5	237	243	243	243	243	153	007
90	122.8	123.3	137	123	190	220	145	21.5	239	245	245	245	245	154	007
95	127.8	128.3	142	128	190	220	150	21.5	240	246	246	246	246	155	007
100	132.8	133.3	147	133	210	240	155	21.5	242	248	248	248	248	156	007
105	137.8	138.3	152	138	210	240	160	21.5	243	250	250	250	250	157	007
110	142.8	143.3	157	143	210	240	165	21.5	245	251	251	251	251	157	007
115	147.8	148.3	162	148	210	240	170	21.5	247	253	253	253	253	158	007
120	152.8	153.3	167	153	230	260	175	21.5	248	254	254	254	254	159	007
125	157.8	158.3	172	158	230	260	180	21.5	250	256	256	256	256	160	007
130	162.8	163.3	177	163	230	260	185	21.5	251	257	257	257	257	161	007
135	167.8	168.3	182	168	230	260	190	21.5	253	258	258	258	258	161	007
140	172.8	173.3	187	173	250	280	195	21.5	255	259	259	259	259	162	007

Mechanical seal

Type 323

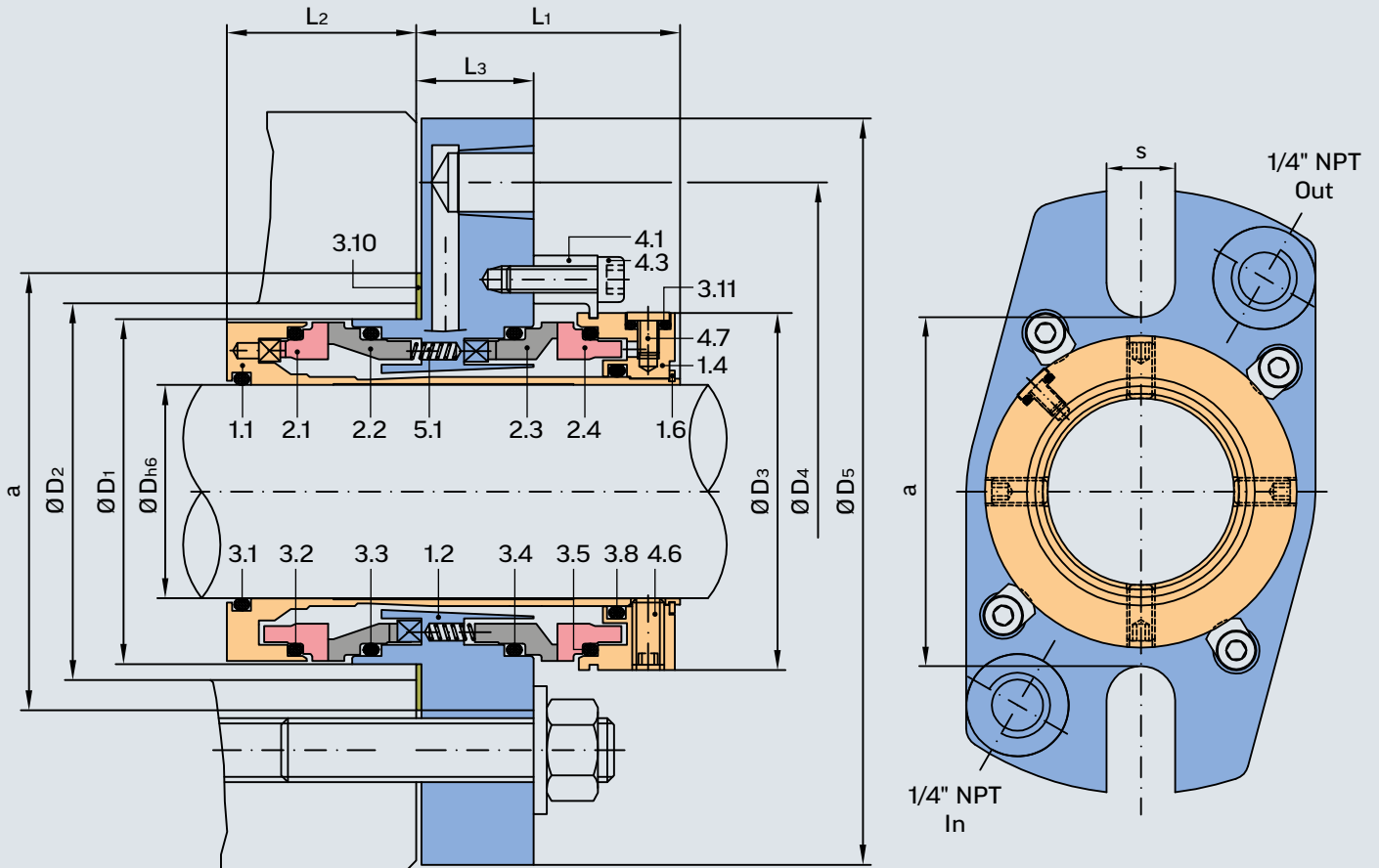
Data sheet



Dimension table Ø 145 - 160 millimetres

Dh6	D1	D2 min.	D2 max.	D3	D4	D5	a	s	O-rings DASH no.							
									3.1	3.2	3.3	3.4	3.5	3.8	3.11	
145	177.8	178.3	192	178	250	280	200	21.5	256	260	260	260	260	260	163	007
150	182.8	183.3	197	183	250	280	205	21.5	258	261	261	261	261	261	164	007
155	187.8	188.3	202	188	250	280	210	21.5	259	261	261	261	261	261	164	007
160	192.8	193.3	207	193	260	290	215	21.5	260	262	262	262	262	262	165	007

Mechanical seal Type 323 Data sheet



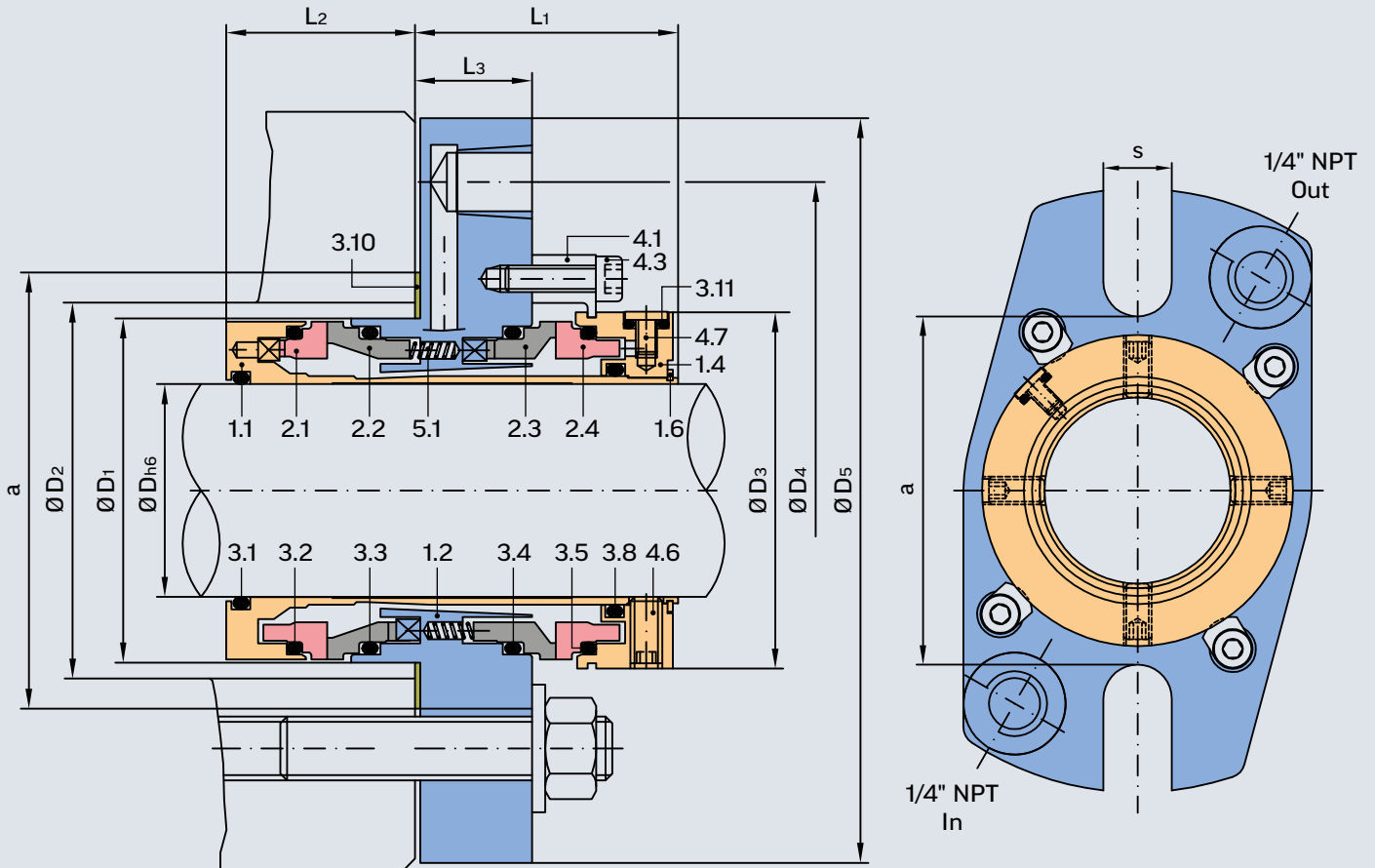
Dimension table $\varnothing 15/16 - 2 3/8$ inches

D _{h6}	D ₁	D _{2 min.}	D _{2 max.}	D ₃	D ₄	D ₅	a	s	O-rings DASH no.						
									3.1	3.2	3.3	3.4	3.5	3.8	3.11
$15/16$	1.957	2.154	2.323	2.047	3.504	4.528	2.638	0.492	119	130	130	130	130	122	007
1	1.957	2.154	2.323	2.047	3.504	4.528	2.638	0.492	120	130	130	130	130	122	007
$1 1/8$	2.075	2.272	2.323	2.165	3.504	4.528	2.638	0.492	122	132	132	132	132	124	007
$1 1/4$	2.272	2.469	2.638	2.323	4.016	5.118	2.953	0.579	124	135	135	135	135	127	007
$1 3/8$	2.350	2.547	2.638	2.441	4.016	5.118	2.953	0.579	126	137	137	137	137	128	007
$1 7/16$	2.429	2.626	2.913	2.520	4.488	5.512	3.228	0.579	127	138	138	138	138	130	007
$1 1/2$	2.469	2.666	2.913	2.559	4.488	5.512	3.228	0.579	128	138	138	138	138	130	007
$1 5/8$	2.626	2.823	2.913	2.717	4.488	5.512	3.228	0.579	131	141	141	141	141	133	007
$1 3/4$	2.744	2.941	2.913	2.835	4.488	5.512	3.228	0.579	133	143	143	143	143	135	007
$1 7/8$	2.862	3.059	3.307	2.953	4.803	5.906	3.622	0.689	135	145	145	145	145	137	007
2	2.941	3.138	3.307	3.031	4.803	5.906	3.622	0.689	136	146	146	146	146	138	007
$2 1/8$	3.059	3.256	3.307	3.150	4.803	5.906	3.622	0.689	138	148	148	148	148	140	007
$2 1/4$	3.217	3.414	3.622	3.307	5.079	6.299	3.937	0.689	140	150	150	150	150	142	007
$2 3/8$	3.335	3.532	3.622	3.425	5.079	6.299	3.937	0.689	142	151	151	151	151	144	007

Mechanical seal

Type 323

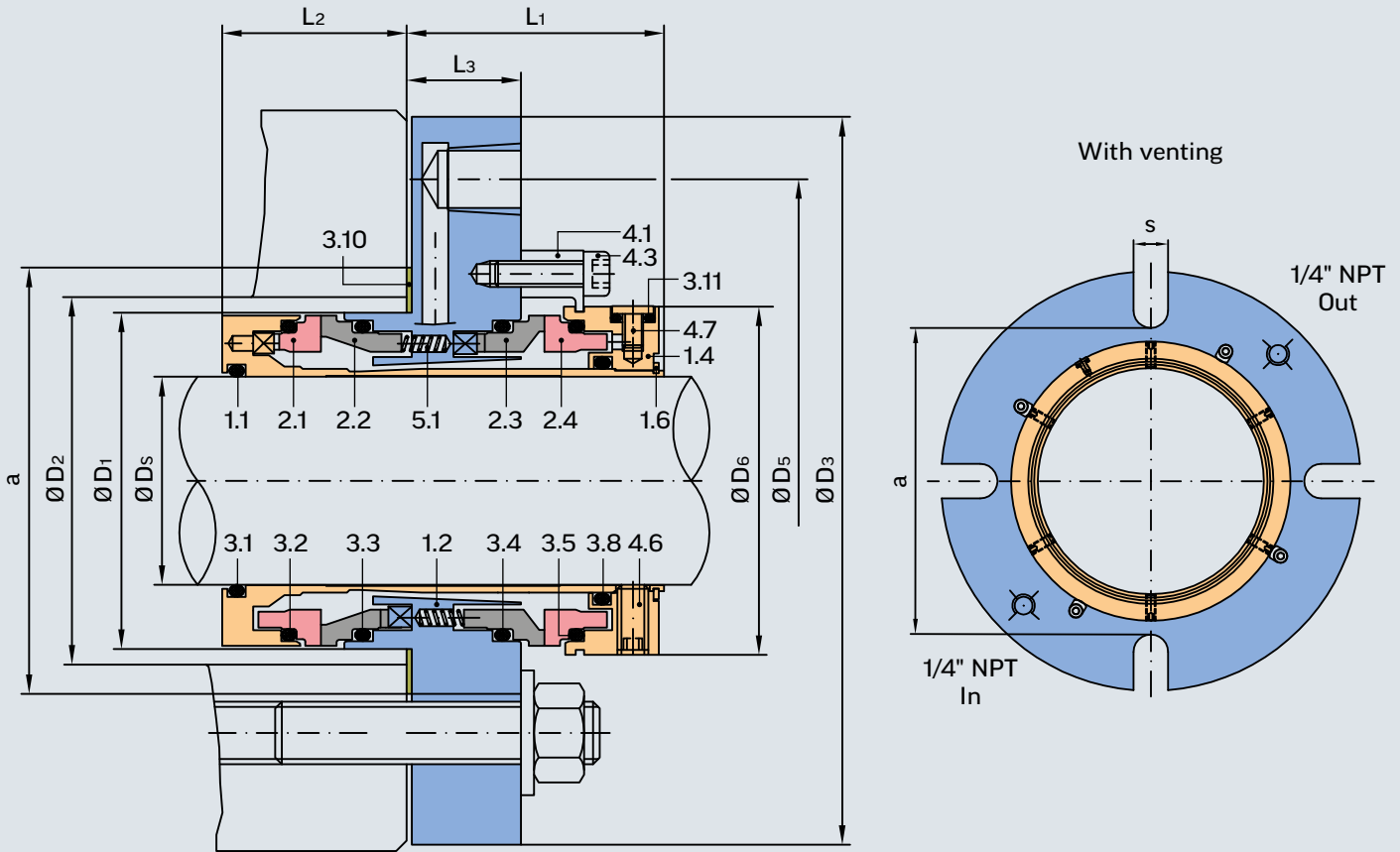
Data sheet



Dimension table $\varnothing 2\frac{1}{2} - 2\frac{3}{4}$ inches

D _{h6}	D ₁	D ₂ min.	D ₂ max.	D ₃	D ₄	D ₅	a	s	O-rings DASH no.						
									3.1	3.2	3.3	3.4	3.5	3.8	3.11
2 ½	3.453	3.650	4.094	3.543	5.512	7.087	4.409	0.689	144	151	151	151	151	146	007
2 ⅝	3.610	3.807	4.094	3.701	5.512	7.087	4.409	0.689	146	152	152	152	152	148	007
2 ¾	3.728	3.925	4.094	3.819	5.512	7.087	4.409	0.689	149	153	153	153	153	150	007

Mechanical seal Type 323 Data sheet



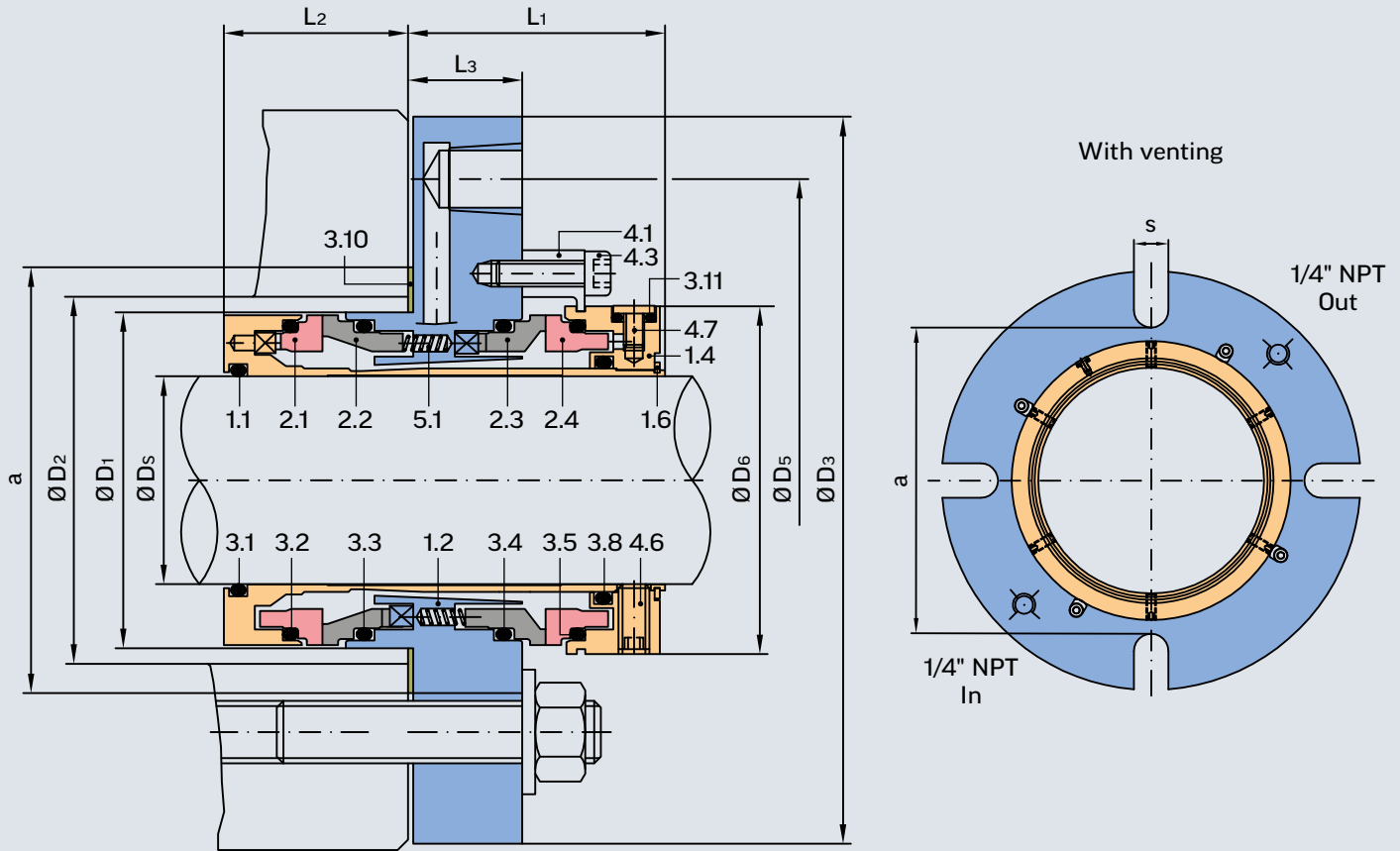
Dimension table $\text{Ø } 2 \frac{7}{8} - 4 \frac{3}{4}$ inches

Dh6	D1	D2 min.	D2 max.	D3	D4	D5	a	s	O-rings DASH no.						
									3.1	3.2	3.3	3.4	3.5	3.8	3.11
2 $\frac{7}{8}$	4.165	4.362	4.724	4.173	6.299	7.480	5.039	0.689	233	239	239	239	239	152	007
3	4.244	4.441	4.803	4.252	6.299	7.480	5.118	0.689	234	240	240	240	240	152	007
3 $\frac{1}{8}$	4.441	4.638	5.000	4.449	7.480	8.661	5.315	0.689	236	242	242	242	242	153	007
3 $\frac{1}{4}$	4.559	4.756	5.118	4.567	7.480	8.661	5.433	0.846	236	242	242	242	242	153	007
3 $\frac{3}{8}$	4.638	4.835	5.197	4.646	7.480	8.661	5.512	0.846	237	243	243	243	243	153	007
3 $\frac{1}{2}$	4.835	5.032	5.394	4.843	7.480	8.661	5.709	0.846	239	245	245	245	245	154	007
3 $\frac{5}{8}$	4.913	5.110	5.472	4.921	7.480	8.661	5.787	0.846	239	245	245	245	245	155	007
3 $\frac{3}{4}$	5.031	5.228	5.591	5.039	7.480	8.661	5.906	0.846	240	246	246	246	246	155	007
4	5.228	5.425	5.787	5.236	8.268	9.449	6.102	0.846	242	248	248	248	248	156	007
4 $\frac{1}{8}$	5.425	5.622	5.984	5.433	8.268	9.449	6.299	0.846	243	250	250	250	250	157	007
4 $\frac{1}{4}$	5.622	5.819	6.181	5.630	8.268	9.449	6.496	0.846	244	251	251	251	251	157	007
4 $\frac{5}{16}$	5.622	5.819	6.181	5.630	8.268	9.449	6.496	0.846	244	251	251	251	251	157	007
4 $\frac{1}{2}$	5.819	6.016	6.378	5.827	8.268	9.449	6.693	0.846	246	253	253	253	253	158	007
4 $\frac{3}{4}$	6.016	6.213	6.575	6.024	9.055	10.236	6.890	0.846	248	254	254	254	254	159	007

Mechanical seal

Type 323

Data sheet

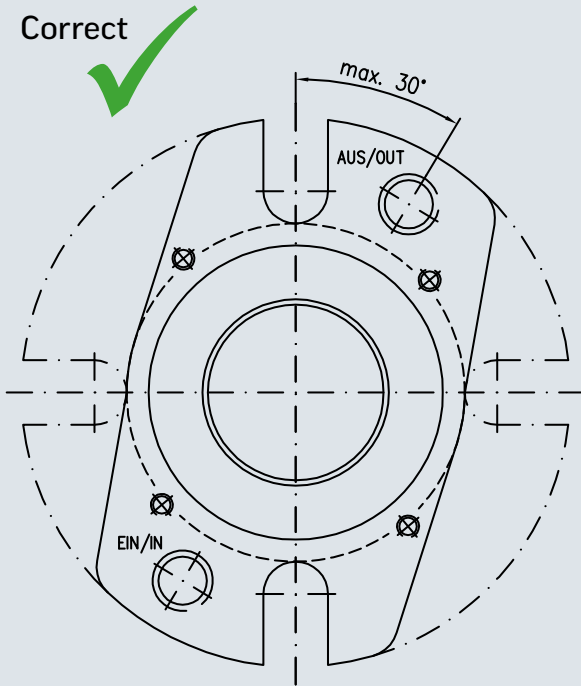


Dimension table Ø 5 - 6 ¼ inches

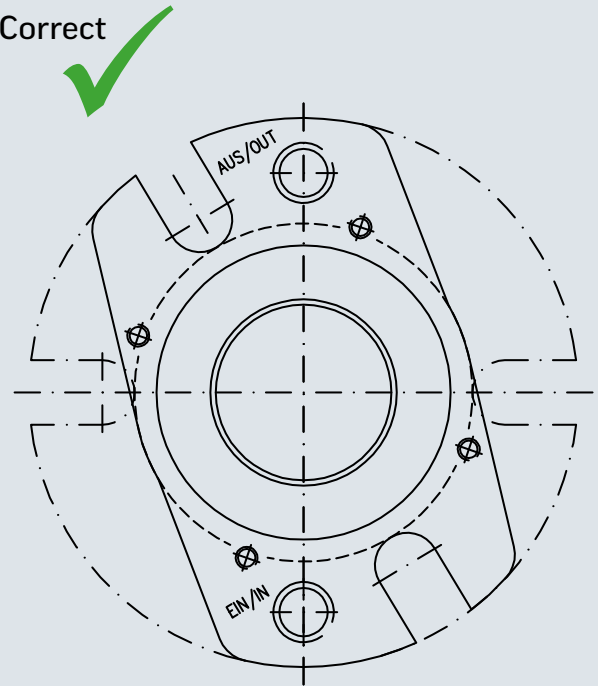
Dh6	D1	D2 min.	D2 max.	D3	D4	D5	a	s	O-rings DASH no.						
									3.1	3.2	3.3	3.4	3.5	3.8	3.11
5	6.409	6.606	6.968	6.417	9.055	10.236	7.283	0.846	250	257	257	257	257	161	007
5 ⅛	6.409	6.606	6.968	6.417	9.055	10.236	7.283	0.846	251	257	257	257	257	161	007
5 ¼	6.606	6.803	7.165	6.614	9.055	10.236	7.480	0.846	252	258	258	258	258	161	007
5 ½	6.803	7.000	7.362	6.811	9.843	11.024	7.677	0.846	254	259	259	259	259	162	007
5 ¾	7.000	7.197	7.559	7.008	9.843	11.024	7.874	0.846	256	260	260	260	260	163	007
6	7.394	7.591	7.953	7.402	9.843	11.024	8.268	0.846	258	261	261	261	261	164	007
6 ¼	7.591	7.788	8.150	7.598	10.236	11.417	8.465	0.846	259	262	262	262	262	262	007

Mechanical seal Type 323 Installation position

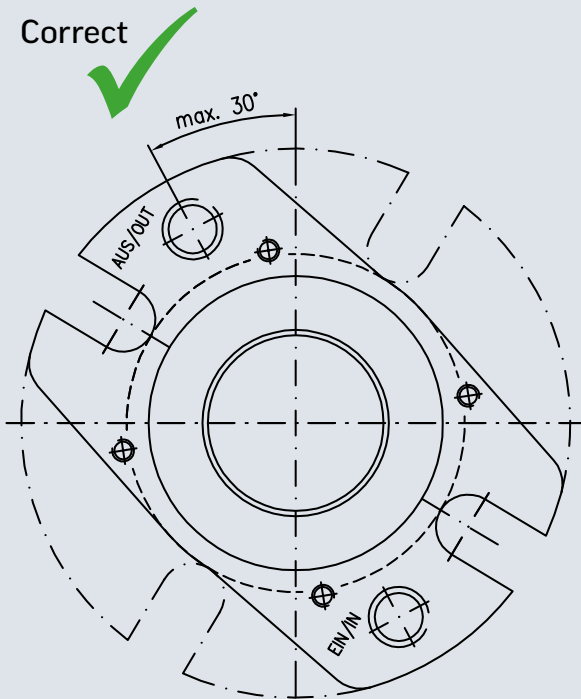
Correct



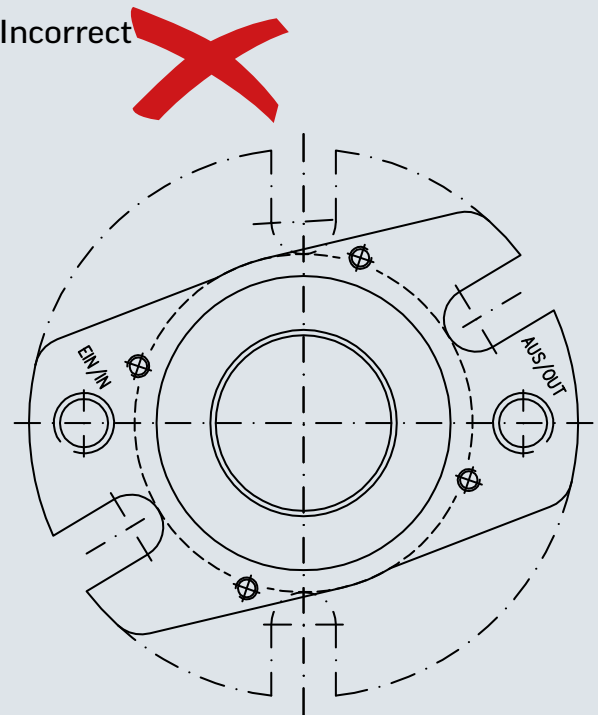
Correct



Correct

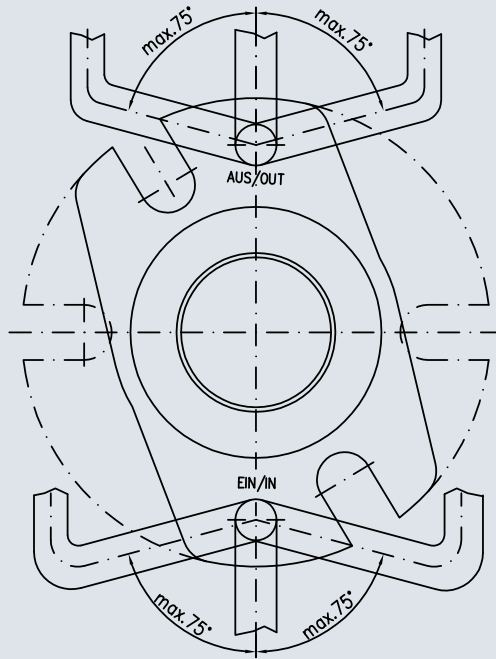


Incorrect



Mechanical seal Type 323 Pipe installation

Correct



Incorrect

