



The DEPAC mechanical seal type 322R is a product variant of the type 322. This stationary, tandem-active, double-cartridge mechanical seal with integrated barrier fluid pumping assistance is available in all sizes with a round gland and four fastening slots. The double pressure relief of the seal faces on the product side also ensures that the seal faces do not open in case of pressure reversal - and that the pressure relief for reducing the friction values is present under all pressure conditions.

Advantages

- Integrated barrier fluid pumping assistance
- Cartridge-mounted
- Double balanced
- Tandem active
- Independent of the direction of rotation
- Multiple springs made of Hastelloy C
- Springs outside the medium - no blockage of the springs
- Vibration-dampend stationary face support

Mechanical seal

Type 322R

Technical specifications

Area of application*

Pressure:	700 mm Hg to 28 bar
Temperature:	dependent on elastomer
Sliding speed:	up to 35 m/s
Shaft movements:	axial $\leq \varnothing 22 \pm 0.5 \text{ mm} \mid \geq \varnothing 24 \pm 1.0 \text{ mm}$ radial $\leq \varnothing 22 \pm 0.4 \text{ mm} \mid \geq \varnothing 24 \pm 0.5 \text{ mm}$

* The maximum specifications for temperature, pressure and sliding speed apply in each case to independent higher operating conditions. However, this does not mean that the seal will function with all extreme conditions at the same time. If in doubt contact DEPAC.

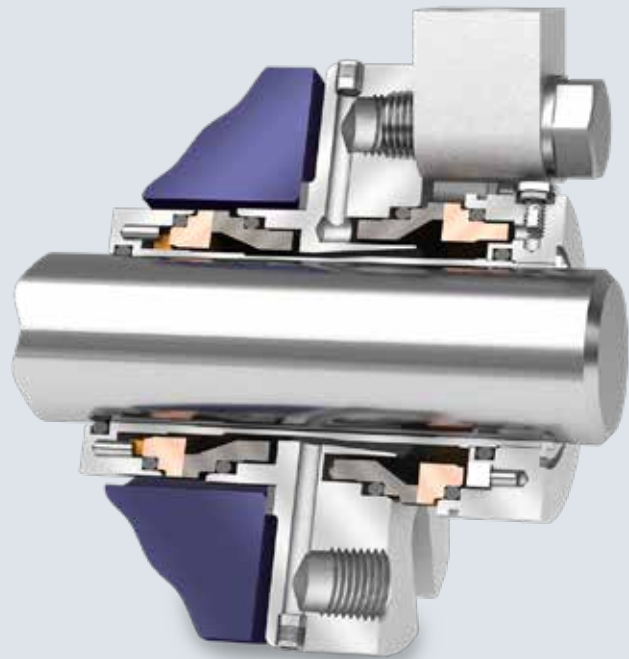
Dimensions

Shaft diameter:	24 – 70 mm 15/16" – 2 3/4" Special sizes on enquiry
-----------------	---

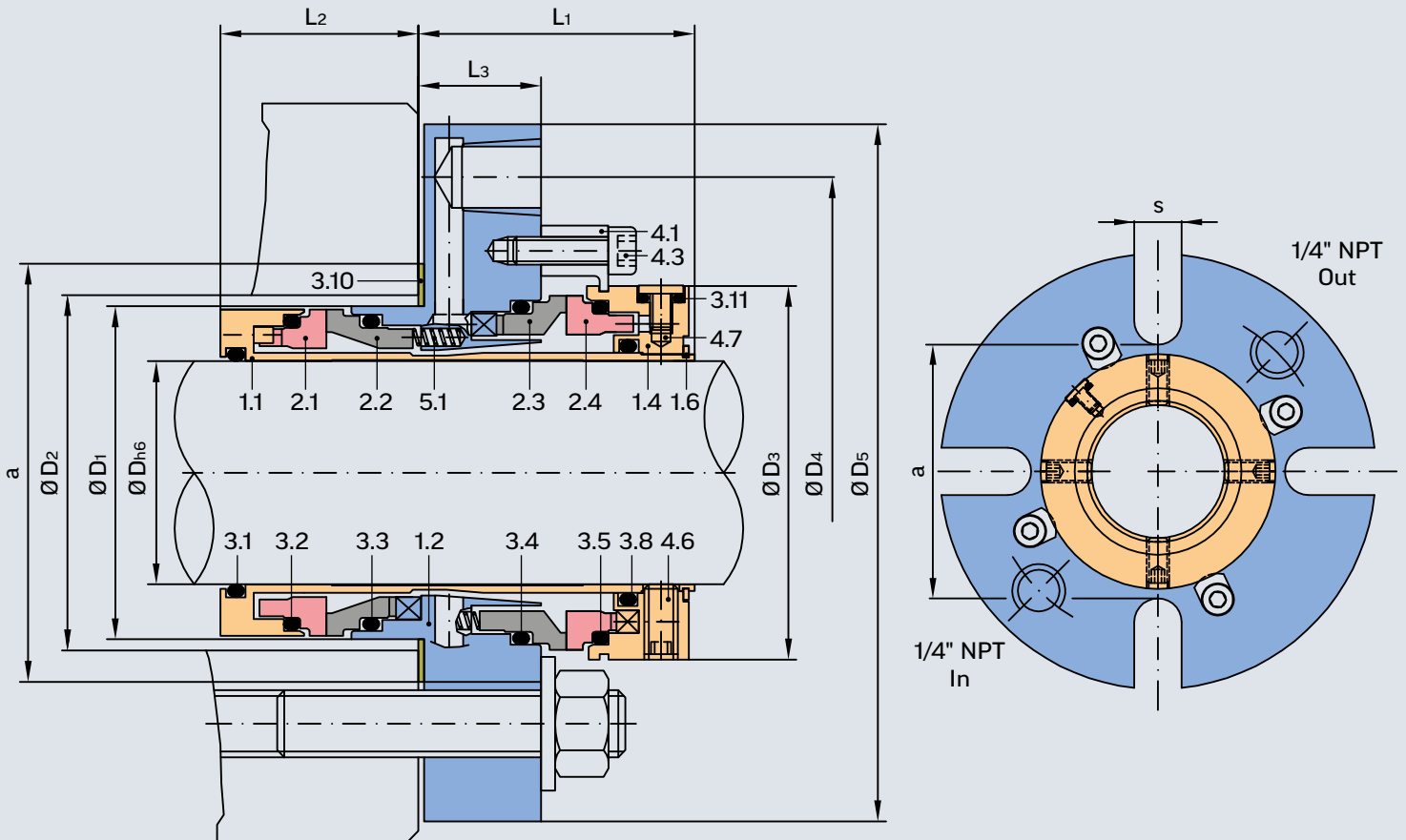
Bill of materials

Item	Description	Material
1.1	Sleeve	1.4571
1.2	Gland	1.4571
1.4	Adjusting ring	1.4571
1.6	Circlip	1.4310
2.1, 2.4	Dynamic seal face	SC/SSIC/TC
2.2, 2.3	Stationary seal face	CA/SC/SSIC/TC
3.1, 3.2, 3.3 3.4, 3.5, 3.8 3.11	O-ring	FKM, EPDM, Kalrez®, PTFE,...
3.10	Flat gasket	Klingersil® C-4300
4.1	Centering piece	Al
4.3	Cheesehead screw	A2
4.6	Threaded pin	A4
4.7	Bleed screw	A2
5.1	Spring	2.4610

Other materials on enquiry!



Mechanical seal Type 322R Data sheet



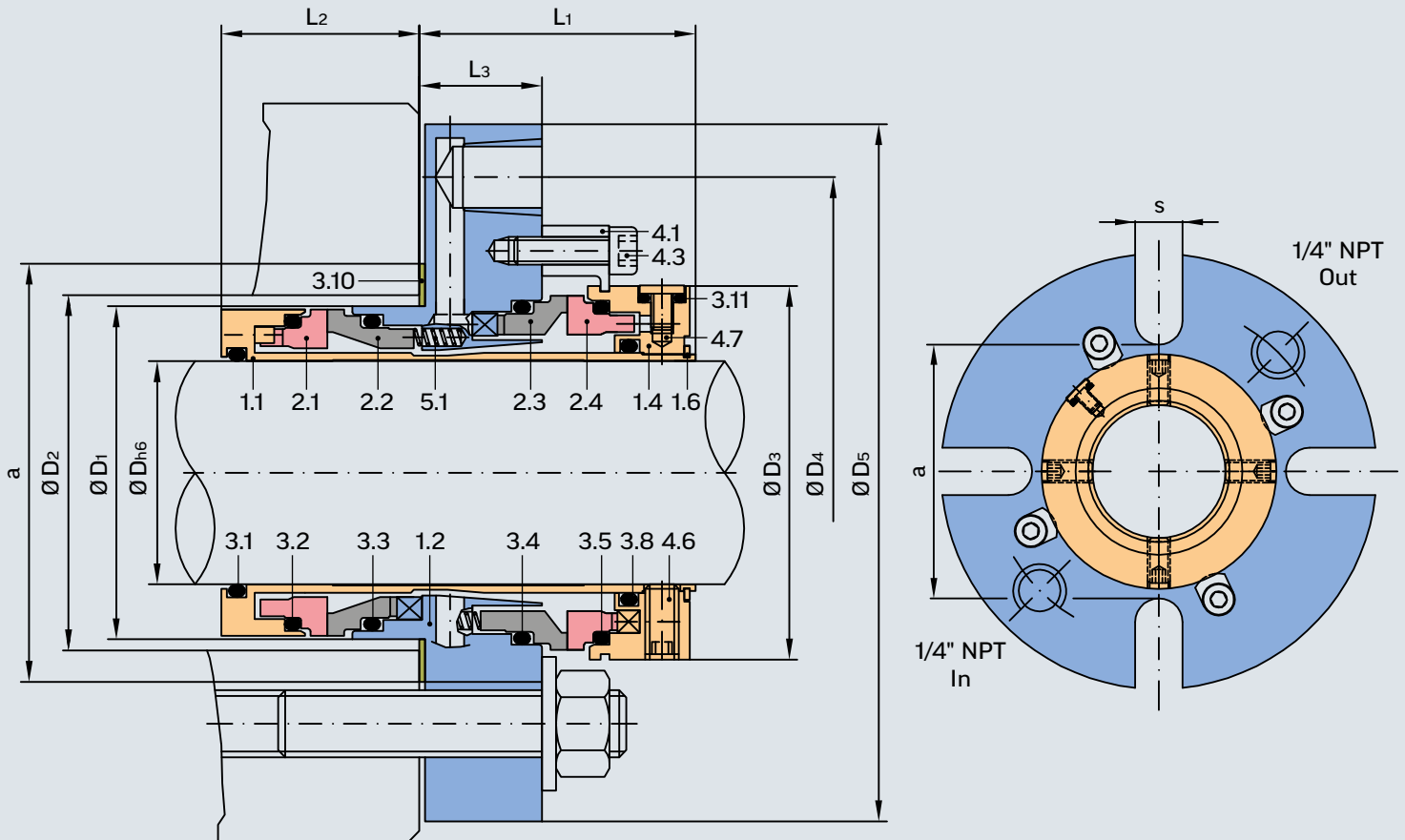
Dimension table Ø 24 – 50 millimetres

D _{h6}	D ₁	D ₂ min.	D ₂ max.	D ₃	D ₄	D ₅	L ₁	L ₂	L ₃	a	s	O-rings DASH no.						
												3.1	3.2	3.3	3.4	3.5	3.8	3.11
24	44.7	45.2	52	52	82	105	50	35	24	60	12.5	119	127	127	130	130	122	007
25	44.7	45.2	52	52	82	105	50	35	24	60	12.5	120	127	127	130	130	122	007
28	47.7	48.2	52	55	82	105	50	35	24	60	12.5	122	129	129	132	132	124	007
30	49.7	50.2	52	57	82	105	50	35	24	60	12.5	123	130	130	133	133	125	007
32	50.9	51.4	52	60	82	105	50	35	24	60	12.5	124	131	131	135	135	127	007
33	50.9	51.4	52	60	82	105	50	35	24	60	12.5	125	131	131	135	135	127	007
35	54.7	55.2	59	62	89	115	50	35	24	67	12.5	126	133	133	137	137	128	007
38	57.7	58.2	67	65	102	130	50	35	24	75	14.7	128	136	136	138	138	130	007
40	59.7	60.2	67	67	102	130	50	35	24	75	14.7	130	137	137	140	140	132	007
42	61.7	62.2	74	69	114	140	50	35	24	82	14.7	131	138	138	141	141	133	007
43	62.7	63.2	74	70	114	140	50	35	24	82	14.7	132	138	138	142	142	133	007
45	64.7	65.2	74	72	114	140	50	35	24	82	14.7	133	140	140	143	143	135	007
48	67.7	68.2	74	75	114	140	50	35	24	82	14.7	135	142	142	145	145	137	007
50	69.7	70.2	74	77	114	140	50	35	24	82	14.7	136	143	143	146	146	138	007

Mechanical seal

Type 322R

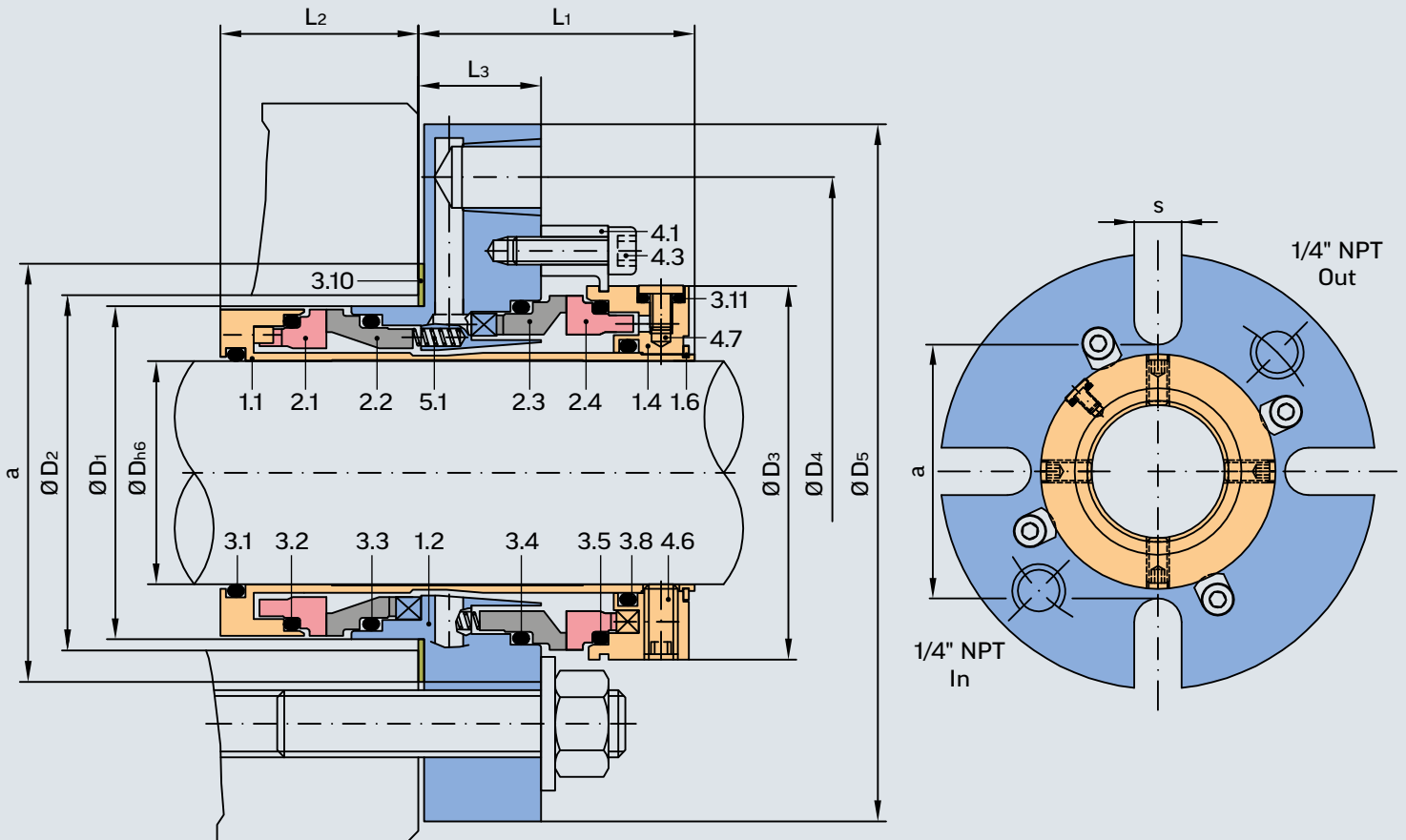
Data sheet



Dimension table Ø 53 - 70 millimetres

D _{h6}	D ₁	D ₂ min.	D ₂ max.	D ₃	D ₄	D ₅	L ₁	L ₂	L ₃	a	s	O-rings DASH no.						
												3.1	3.2	3.3	3.4	3.5	3.8	3.11
53	72.7	73.2	84	80	122	150	50	35	24	92	17.5	138	145	145	148	148	140	007
55	74.7	75.2	84	82	122	150	50	35	24	92	17.5	139	146	146	149	149	141	007
58	77.7	78.2	84	85	122	150	50	35	24	92	17.5	141	148	148	150	150	143	007
60	79.7	80.2	92	87	129	160	50	35	24	100	17.5	142	149	149	151	151	144	007
63	82.7	83.2	92	90	129	160	50	35	24	100	17.5	144	150	150	151	151	146	007
65	84.7	85.2	92	92	129	160	50	35	24	100	17.5	145	151	151	152	152	147	007
68	87.7	88.2	104	95	140	180	50	35	24	112	17.5	147	151	151	152	152	149	007
70	89.7	90.2	104	97	140	180	50	35	24	112	17.5	149	152	152	153	153	150	007

Mechanical seal Type 322R Data sheet



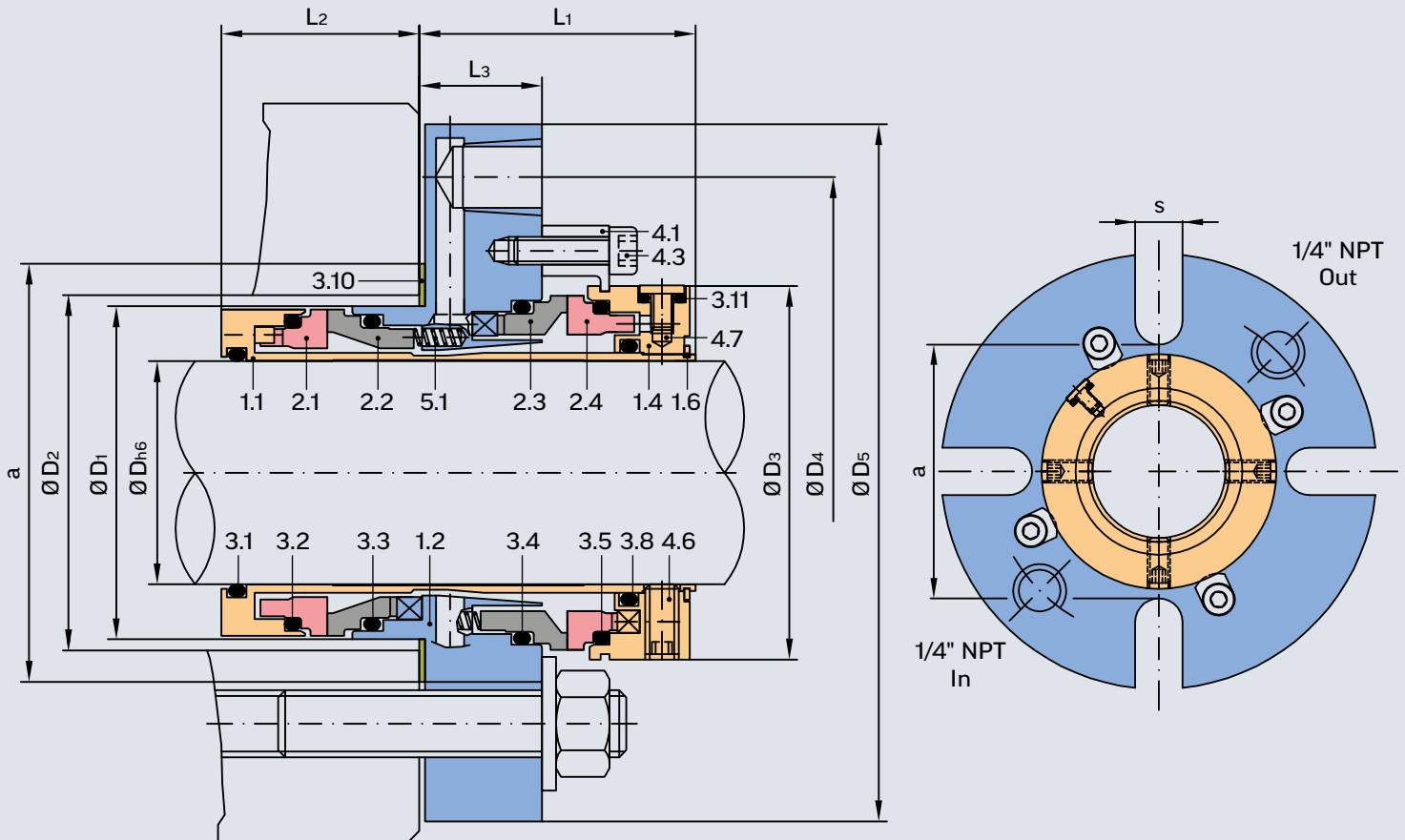
Dimension table $\text{Ø } \frac{15}{16} - 2 \frac{3}{8}$ inches

D _{h6}	D ₁	D ₂ min.	D ₂ max.	D ₃	D ₄	D ₅	L ₁	L ₂	L ₃	a	s	O-rings DASH no.						
												3.1	3.2	3.3	3.4	3.5	3.8	3.11
$\frac{15}{16}$	1.760	1.780	2.047	2.047	3.228	4.134	1.969	1.378	0.945	2.362	0.492	119	127	127	130	130	122	007
1	1.760	1.780	2.047	2.047	3.228	4.134	1.969	1.378	0.945	2.362	0.492	120	127	127	130	130	122	007
1 $\frac{1}{8}$	1.878	1.898	2.047	2.165	3.228	4.134	1.969	1.378	0.945	2.362	0.492	122	129	129	132	132	124	007
1 $\frac{1}{4}$	2.004	2.024	2.047	2.323	3.228	4.134	1.969	1.378	0.945	2.362	0.492	124	131	131	135	135	126	007
1 $\frac{3}{8}$	2.154	2.173	2.323	2.441	3.504	4.528	1.969	1.378	0.945	2.638	0.492	126	133	133	137	137	128	007
1 $\frac{7}{16}$	2.232	2.252	2.638	2.520	4.016	5.118	1.969	1.378	0.945	2.953	0.579	127	135	135	138	138	130	007
1 $\frac{1}{2}$	2.250	2.270	2.638	2.559	4.016	5.118	1.969	1.378	0.945	2.953	0.579	128	136	136	138	138	130	007
1 $\frac{5}{8}$	2.375	2.395	2.913	2.717	4.488	5.512	1.969	1.378	0.945	3.228	0.579	131	137	137	140	140	132	007
1 $\frac{3}{4}$	2.500	2.520	2.913	2.835	4.488	5.512	1.969	1.378	0.945	3.228	0.579	133	139	139	142	142	134	007
1 $\frac{7}{8}$	2.625	2.645	2.913	2.953	4.488	5.512	1.969	1.378	0.945	3.228	0.579	135	141	141	144	144	136	007
2	2.750	2.770	2.913	3.031	4.488	5.512	1.969	1.378	0.945	3.228	0.579	136	143	143	146	146	138	007
2 $\frac{1}{8}$	2.875	2.895	3.307	3.150	4.803	5.906	1.969	1.378	0.945	3.622	0.689	138	145	145	148	148	140	007
2 $\frac{1}{4}$	3.000	3.020	3.307	3.307	4.803	5.906	1.969	1.378	0.945	3.622	0.689	140	147	147	150	150	142	007
2 $\frac{3}{8}$	3.125	3.145	3.622	3.425	5.079	6.299	1.969	1.378	0.945	3.937	0.689	142	149	149	151	151	144	007

Mechanical seal

Type 322R

Data sheet

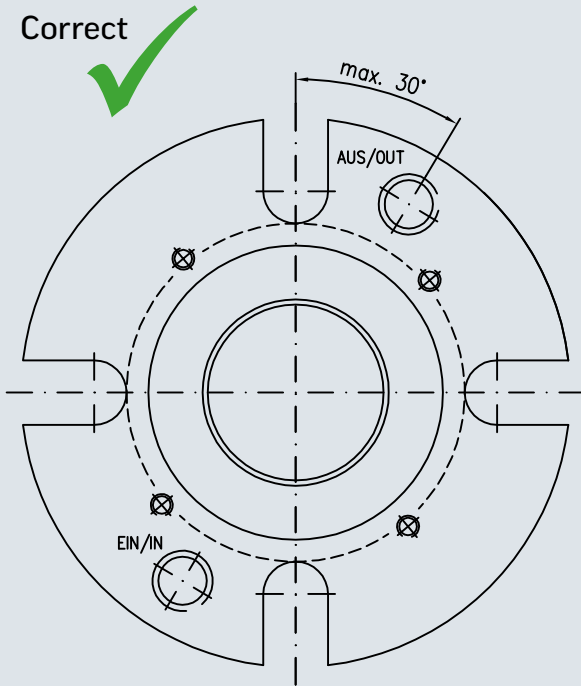


Dimension table Ø 2 ½ - 4 ¼ inches

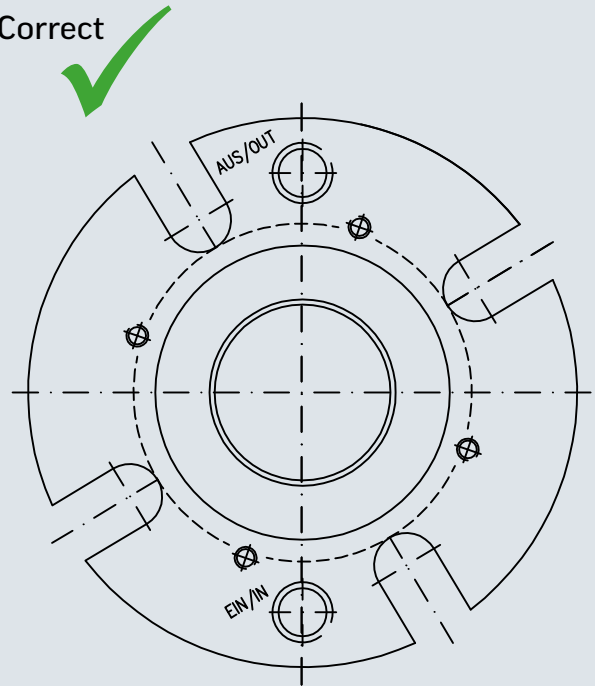
D _{h6}	D ₁	D ₂ min.	D ₂ max.	D ₃	D ₄	D ₅	L ₁	L ₂	L ₃	a	s	O-rings DASH no.						
												3.1	3.2	3.3	3.4	3.5	3.8	3.11
2 ½	3.250	3.270	3.622	3.543	5.079	6.299	1.969	1.378	0.945	3.937	0.689	144	150	150	151	151	146	007
2 ⅝	3.625	3.645	4.094	3.701	5.512	7.087	1.969	1.378	0.945	4.409	0.689	146	151	151	152	152	148	007
2 ¾	3.750	3.770	4.094	3.819	5.512	7.087	1.969	1.378	0.945	4.409	0.689	149	152	152	153	153	150	007
2 ⅞	3.875	3.895	4.528	4.173	6.142	7.480	2.146	1.516	1.004	4.843	0.689	233	238	238	239	239	152	007
3	4.000	4.020	4.606	4.252	6.220	7.480	2.146	1.516	1.004	4.921	0.689	234	238	238	240	240	152	007
3 ⅛	4.125	4.145	4.803	4.449	6.378	7.480	2.146	1.516	1.004	5.118	0.689	236	240	240	241	241	153	007
3 ¼	4.250	4.270	4.921	4.567	6.496	8.661	2.146	1.516	1.004	5.236	0.689	236	241	241	242	242	153	007
3 ⅝	4.375	4.395	5.000	4.646	6.614	8.661	2.146	1.516	1.004	5.315	0.846	237	242	242	243	243	153	007
3 ¾	4.500	4.520	5.197	4.843	6.772	8.661	2.146	1.516	1.004	5.512	0.846	239	243	243	245	245	154	007
3 ⅞	4.625	4.645	5.276	4.921	6.890	8.661	2.146	1.516	1.004	5.591	0.846	239	244	244	245	245	155	007
3 ⅞	4.750	4.770	5.394	5.039	7.008	8.661	2.146	1.516	1.004	5.709	0.846	240	245	245	246	246	155	007
4	5.000	5.020	5.591	5.236	7.205	8.661	2.146	1.516	1.004	5.906	0.846	242	246	246	248	248	156	007
4 ⅛	5.228	5.248	5.787	5.433	7.402	9.449	2.146	1.516	1.004	6.102	0.846	243	248	248	250	250	157	007
4 ¼	5.425	5.445	5.984	5.630	7.598	9.449	2.146	1.516	1.004	6.299	0.846	244	250	250	251	251	157	007

Mechanical seal Type 322R Installation position

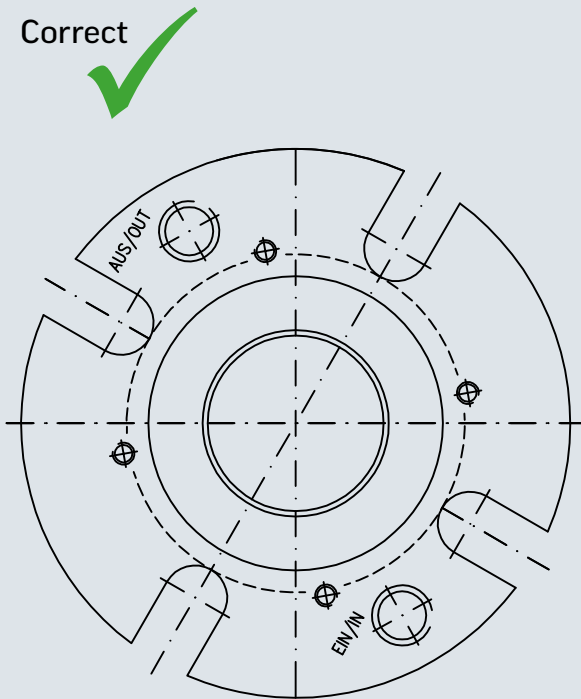
Correct



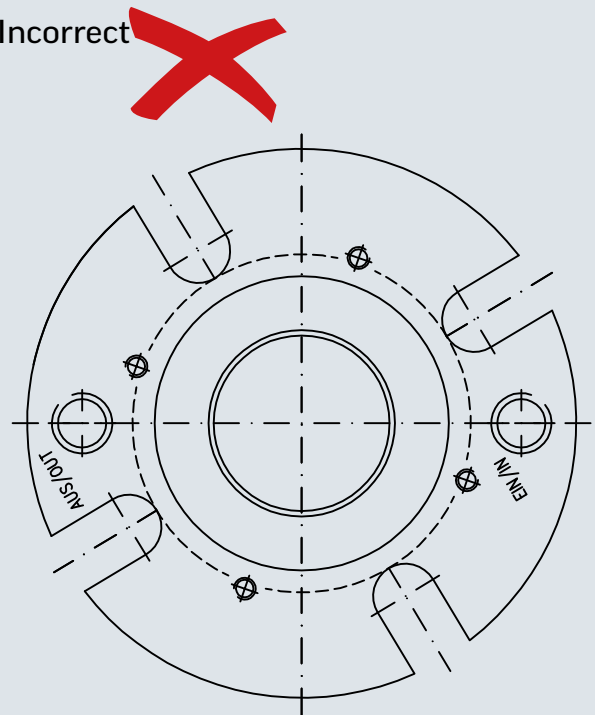
Correct



Correct

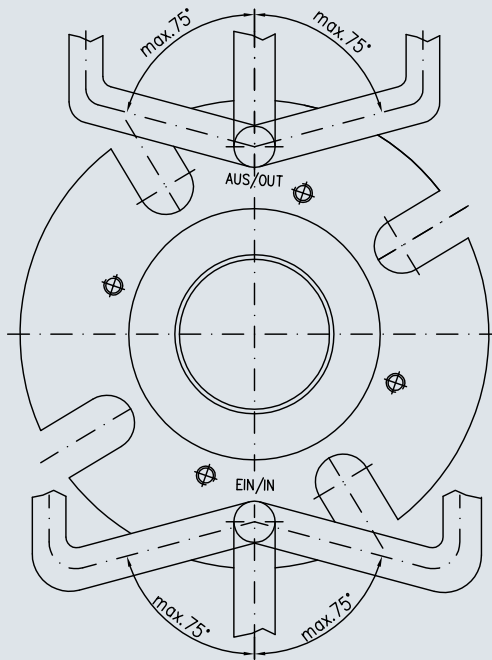


Incorrect



Mechanical seal Type 322R Pipe installation

Correct



Incorrect

