



The DEPAC mechanical seal type 322K is a stationary, tandem-active double seal. The mechanical seal has an integrated pump mechanism for the circulation of the barrier fluid and was specially developed for the installation spaces of standard chemical pumps. The mechanical seal is additionally characterised by its universal usage possibilities.

Advantages

- Integrated pump mechanism
- Suitable for installation spaces of standard chemical pumps
- Cartridge-mounted
- Balanced
- Tandem active
- Independent of the direction of rotation
- Multiple springs made of Hastelloy C
- Springs outside the medium - no blockage of the springs
- Vibration-dampend stationary face support

Mechanical seal

Type 322K

Technical specifications

Area of application*

Pressure:	up to 28 bar
Temperature:	dependent on elastomer
Sliding speed:	up to 35 m/s
Shaft movements:	axial +/- 1.0 mm
	radial +/- 0.5 mm

* The maximum specifications for temperature, pressure and sliding speed apply in each case to independent higher operating conditions. However, this does not mean that the seal will function with all extreme conditions at the same time. If in doubt contact DEPAC.

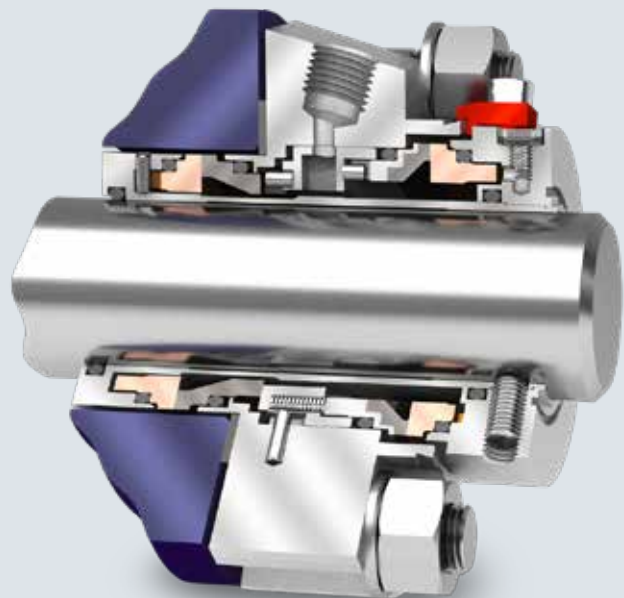
Dimensions

Shaft diameter:	Ø 24 - 160 mm
	Special sizes on enquiry

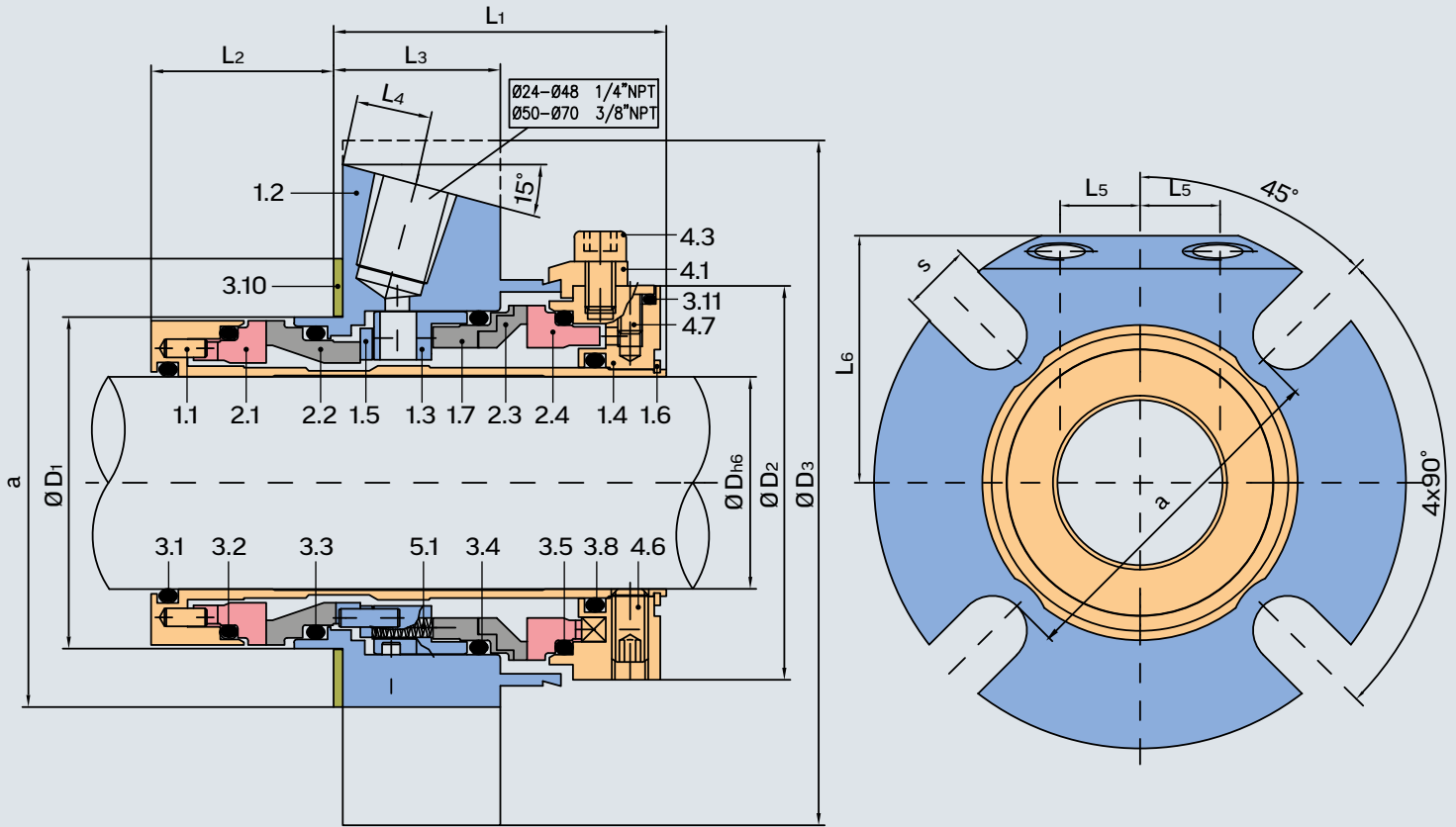
Bill of materials

Item	Description	Material
1.1	Sleeve	1.4571
1.2	Gland	1.4571
1.3	Gland insert	1.4571
1.4	Adjusting ring	1.4571
1.5	Thrust washer	1.4571
1.6	Circlip	1.4310
1.7	Surface retainer	1.4571
2.1, 2.4	Dynamic seal face	SC/SSIC/TC
2.2, 2.3	Stationary seal face	CA/SC/SSIC/TC
3.1, 3.2, 3.3 3.4, 3.5, 3.8 3.11	O-ring	FKM, EPDM, Kalrez®, PTFE,...
3.10	Flat gasket	Klingersil® C-4300
4.1	Centering piece	Al
4.3	Cheesehead screw	A2
4.6	Threaded pin	A4
4.7	Bleed screw	A2
5.1	Spring	2.4610

Other materials on enquiry!



Mechanical seal Type 322K Data sheet



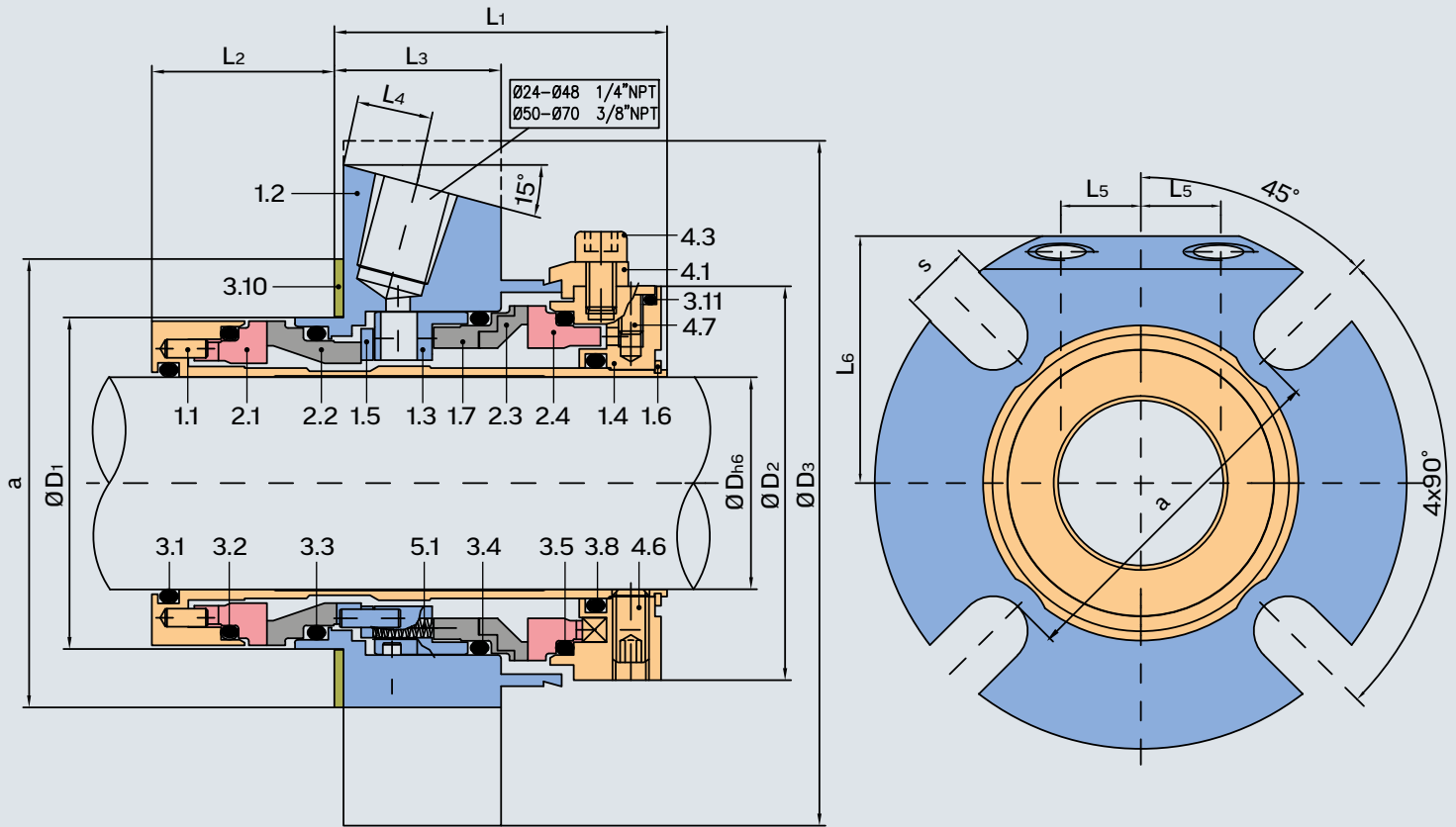
Dimension table Ø 24 - 55 millimetres

D5	D1	D2	D3	a	L1	L2	L3	L4	L5	L6	s	NPT	O-rings DASH no.						
													3.1	3.2	3.3	3.4	3.5	3.8	3.11
24	44.7	55	104.8	64	54.8	30.3	27.5	12.5	12.5	49.5	12.5	1/4"	120	127	127	130	130	123	007
25	44.7	55	104.8	64	54.8	30.3	27.5	12.5	12.5	49.5	12.5	1/4"	121	127	127	130	130	123	007
28	47.7	58	104.8	67	54.8	30.3	27.5	12.5	13.5	49.5	12.5	1/4"	123	129	129	132	132	125	007
30	49.7	60	104.8	69	54.8	30.3	27.5	12.5	14.5	49.5	12.5	1/4"	124	130	130	133	133	126	007
32	50.7	62	104.8	71	54.8	30.3	27.5	12.5	14.5	49.5	12.5	1/4"	126	131	131	134	134	127	007
35	54.7	65	112.8	74	54.8	30.3	27.5	12.5	17	52.4	14.7	1/4"	127	133	133	136	136	129	007
38	57.7	68	122.8	77	54.8	30.3	27.5	12.5	18	58	14.7	1/4"	129	135	135	138	138	131	007
40	59.7	70	122.8	79	54.8	30.3	27.5	12.5	17.5	58	14.7	1/4"	131	136	136	139	139	132	007
42	61.7	72	129.8	81	54.8	30.3	27.5	12.5	18.5	60	14.7	1/4"	132	137	137	140	140	134	007
43	62.7	73	129.8	82	54.8	30.3	27.5	12.5	17.5	60.9	14.7	1/4"	132	138	138	141	141	134	007
45	64.7	75	129.8	84	54.8	30.3	27.5	12.5	17	60	14.7	1/4"	134	139	139	142	142	136	007
48	67.7	78	137.8	87	54.8	30.3	27.5	12.5	18.5	65	14.7	1/4"	136	141	141	144	144	137	007
50	69.7	80	141.8	89	54.8	30.3	27.5	14	18	65	14.7	3/8"	137	142	142	146	146	139	007
55	74.7	85	147.8	105	54.8	30.3	27.5	14	20.5	68	18	3/8"	140	146	146	149	149	142	007

Mechanical seal

Type 322K

Data sheet

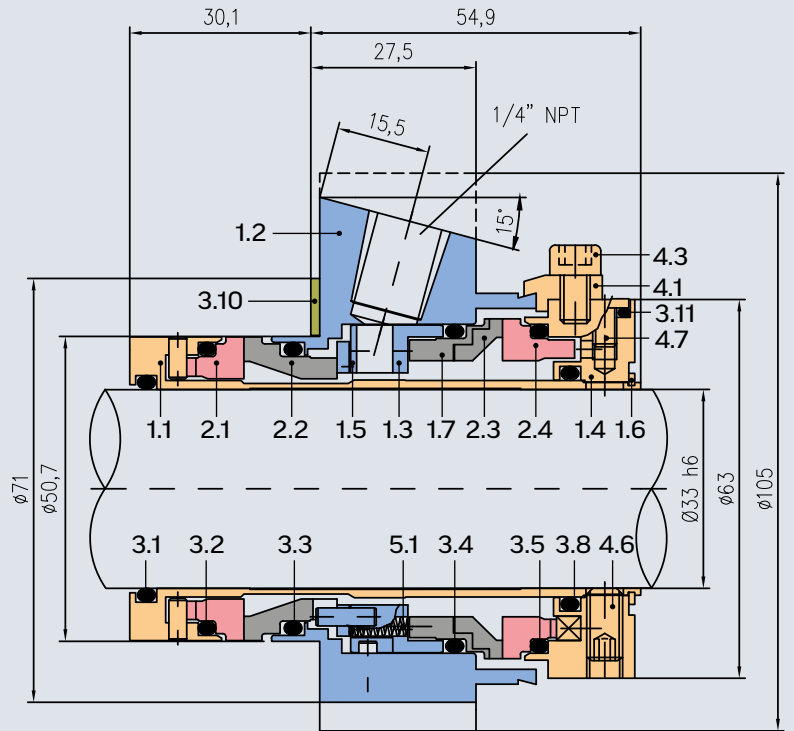
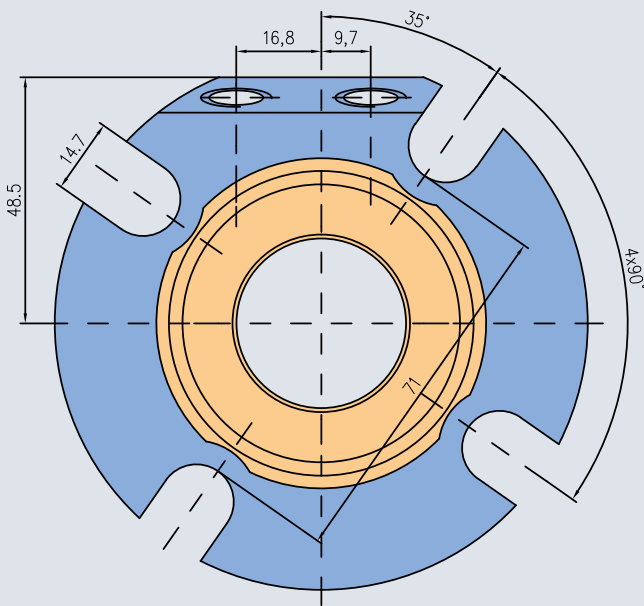


Dimension table Ø 58 - 70 millimetres

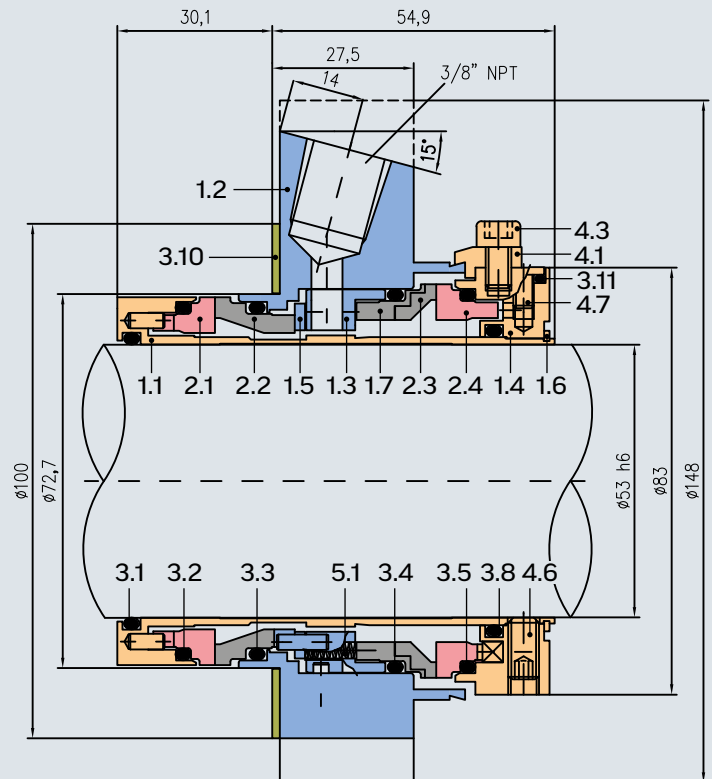
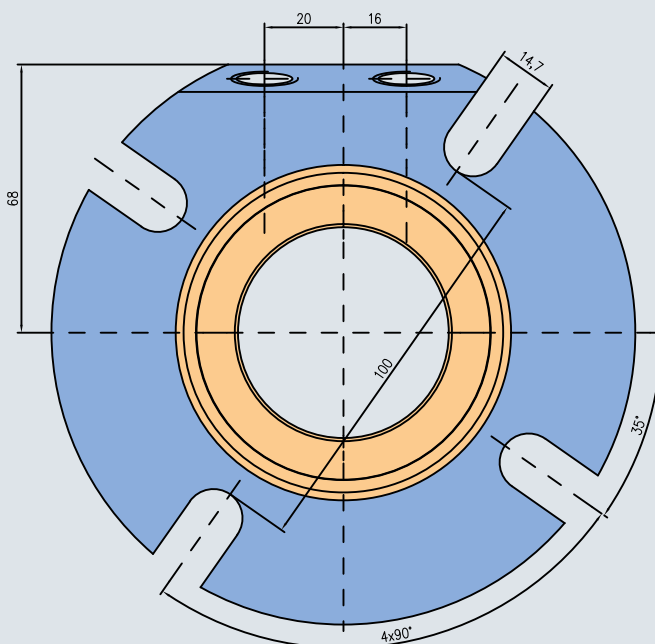
D5	D1	D2	D3	a	L1	L2	L3	L4	L5	L6	s	NPT	O-rings DASH no.						
													3.1	3.2	3.3	3.4	3.5	3.8	3.11
58	77.7	88	147.8	108	54.8	30.3	27.5	14	24	68	18	3/8"	142	147	147	150	150	144	007
60	79.7	90	156.8	110	54.8	30.3	27.5	14	25	72	18	3/8"	143	149	149	151	151	145	007
63	82.7	93	156.8	113	54.8	30.3	27.5	14	26.5	72	18	3/8"	145	150	150	151	151	147	007
68	87.7	98	162.8	118	54.8	30.3	27.5	14	28	72	18	3/8"	148	151	151	152	152	150	007
70	89.7	100	169.8	120	54.8	30.3	27.5	14	27.5	76	18	3/8"	150	151	151	152	152	151	007

Mechanical seal Type 322K Data sheet

Version Ø 33 millimetres



Version Ø 53 millimetres

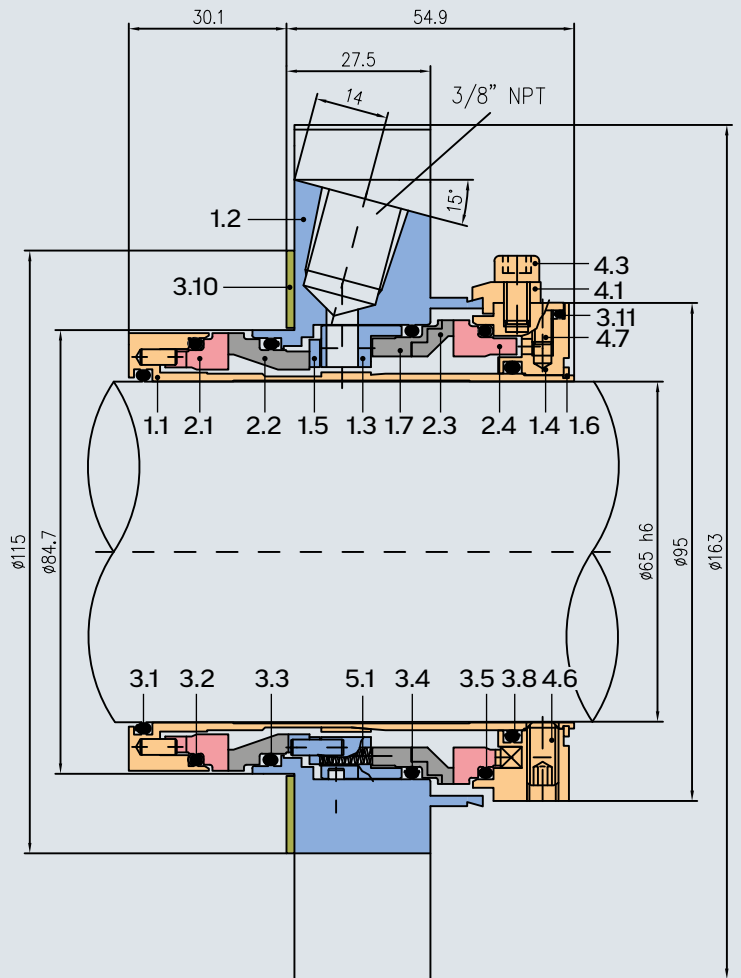
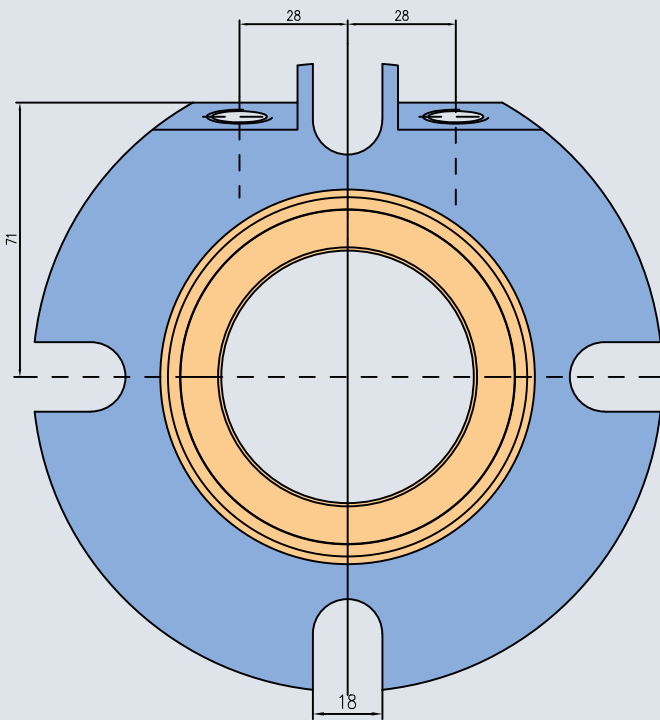


Mechanical seal

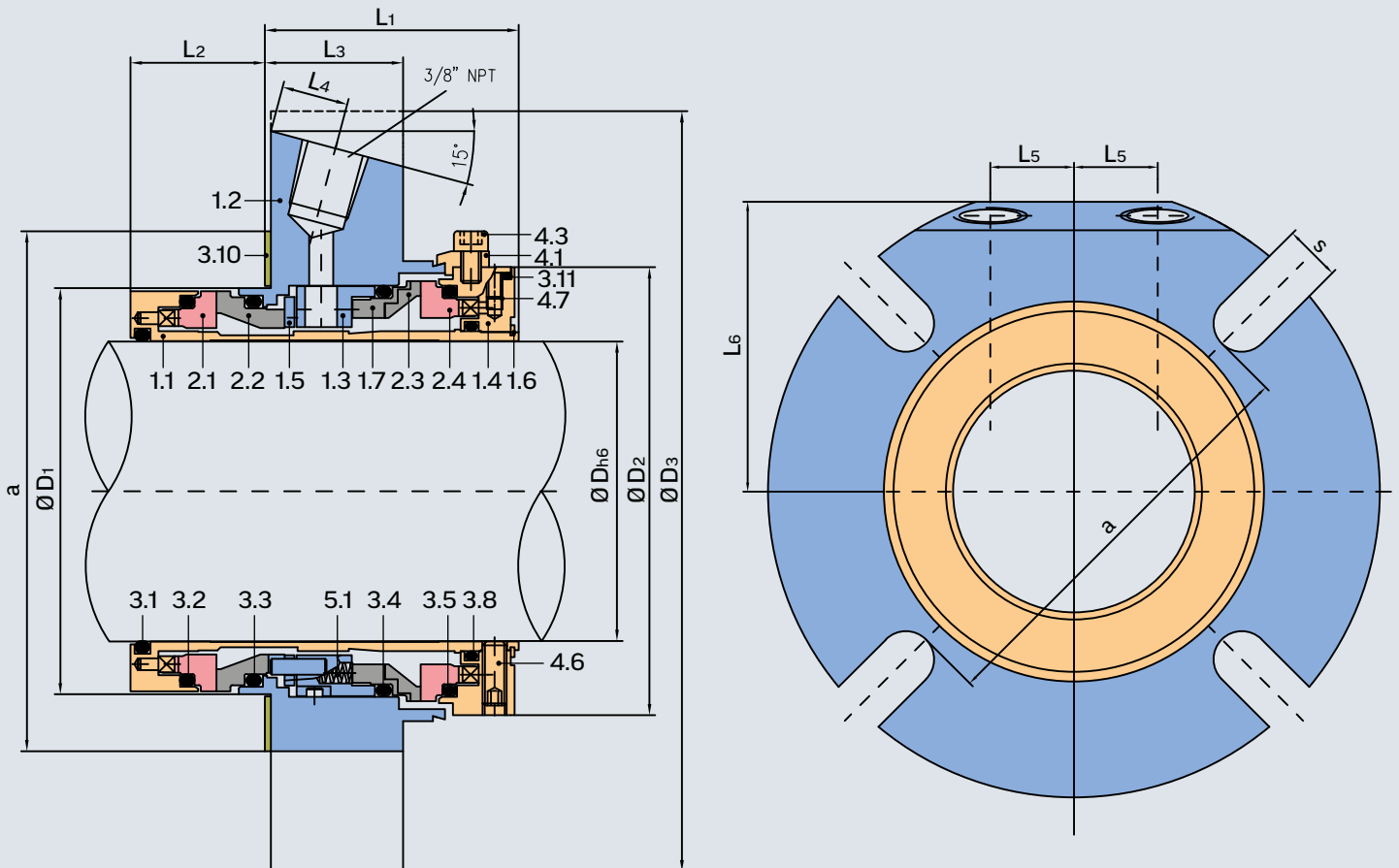
Type 322K

Data sheet

Version Ø 65 millimetres



Mechanical seal Type 322K Data sheet



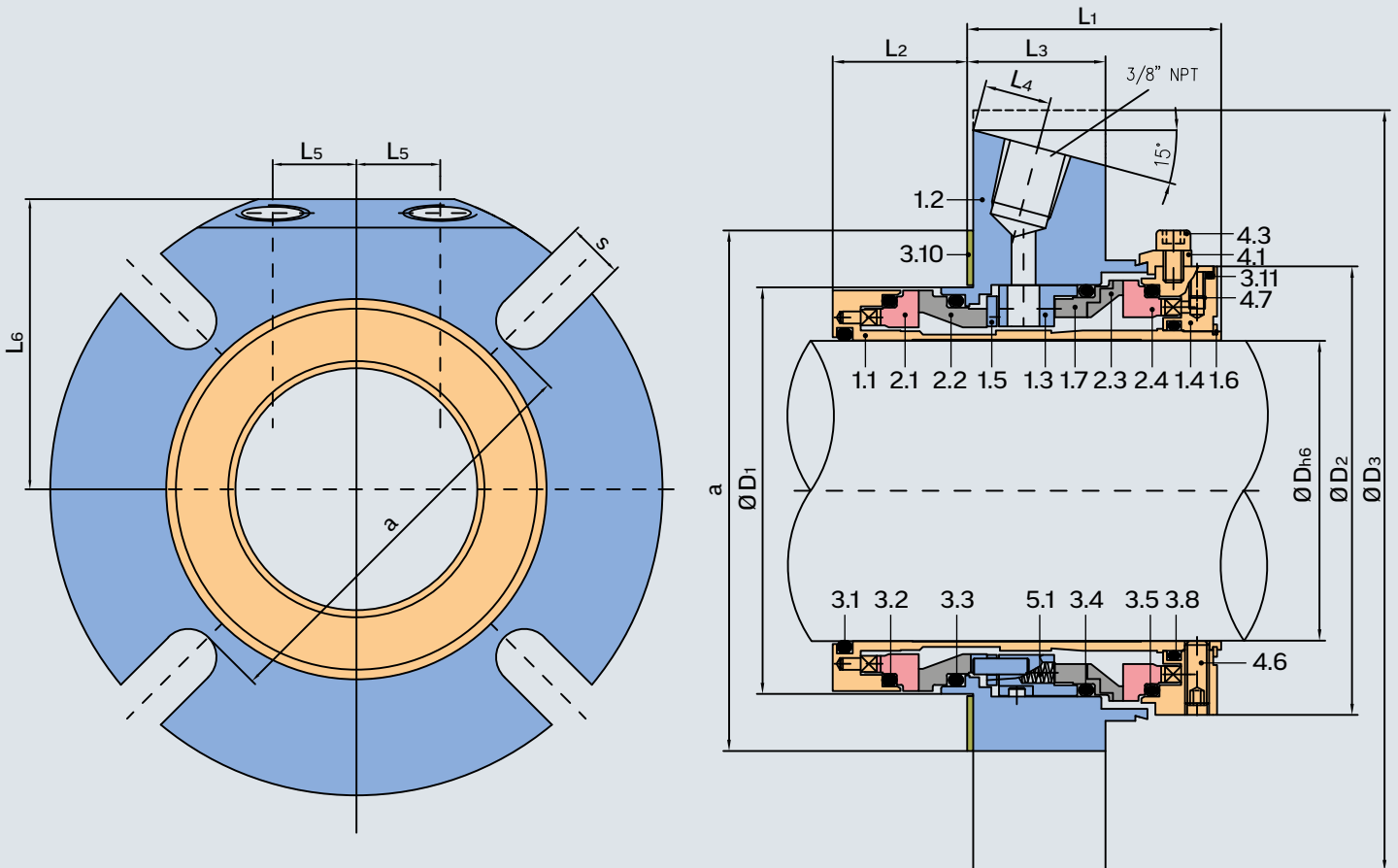
Dimension table Ø 75 - 135 millimetres

D5	D1	D2	D3	a	L1	L2	L3	L4	L5	L6	s	NPT	O-rings DASH no.					3.1	3.2	3.3	3.4	3.5	3.8	3.11
75	101.5	112	190	130	63.4	33.6	34.5	16.7	30	88	18	3/8"	234	238	238	240	240	152	007					
80	107.8	117	195	135	63.4	33.6	34.5	16.7	30	90.4	18	3/8"	236	240	240	242	242	153	007					
85	111	122	200	143	63.4	33.6	34.5	16.7	30	93	21.5	3/8"	237	242	242	243	243	154	007					
90	117.8	127	205	148	63.4	33.6	34.5	16.7	32.5	92.4	21.5	3/8"	239	243	243	245	245	154	007					
95	120.6	132	210	153	63.4	33.6	34.5	16.7	32.5	95	21.5	3/8"	240	245	245	246	246	155	007					
100	126.9	137	218	158	63.4	33.6	34.5	16.7	35	99	21.5	3/8"	242	246	246	248	248	157	007					
105	132.8	142	240	163	63.4	33.6	34.5	16.7	35	110	21.5	3/8"	243	248	248	250	250	158	007					
110	137.8	147	240	168	63.4	33.6	34.5	16.7	37.5	110	21.5	3/8"	245	250	250	251	251	158	007					
115	142.8	152	240	173	63.4	33.6	34.5	16.7	37.5	110	21.5	3/8"	247	251	251	253	253	158	007					
120	147.8	157	240	178	63.4	33.6	34.5	16.7	37.5	110	21.5	3/8"	248	253	253	254	254	159	007					
125	152.8	162	260	183	63.4	33.6	34.5	16.7	37.5	120	21.5	3/8"	250	254	254	256	256	160	007					
130	157.8	167	260	188	63.4	33.6	34.5	16.7	37.5	120	21.5	3/8"	251	256	256	257	257	161	007					
135	162.8	172	260	193	63.4	33.6	34.5	16.7	37.5	120	21.5	3/8"	253	257	257	258	258	162	007					

Mechanical seal

Type 322K

Data sheet



Dimension table Ø 140 - 160 millimetres

D ₅	D ₁	D ₂	D ₃	a	L ₁	L ₂	L ₃	L ₄	L ₅	L ₆	s	NPT	O-rings DASH no.						
													3.1	3.2	3.3	3.4	3.5	3.8	3.11
140	167.8	177	260	198	63.4	33.6	34.5	16.7	40	120	21.5	3/8"	255	258	258	259	259	162	007
145	172.8	182	280	203	63.4	33.6	34.5	16.7	40	130	21.5	3/8"	256	259	259	260	260	163	007
150	177.8	187	280	208	63.4	33.6	34.5	16.7	42.5	130	21.5	3/8"	258	260	260	261	261	164	007
155	182.8	192	280	213	63.4	33.6	34.5	16.7	42.5	130	21.5	3/8"	259	261	261	261	261	165	007
160	187.8	197	280	218	63.4	33.6	34.5	16.7	43	130	21.5	3/8"	260	261	261	262	262	165	007