



The DEPAC mechanical seal type 321R is a stationary, tandem-active, double-cartridge mechanical seal with round gland and venting facility. The double pressure relief of the seal faces on the product side also ensures that the seal faces do not open in case of pressure reversal - and that the pressure relief for reducing the friction values is present under all pressure conditions.

The product variants in the form of the type 322 and the type 323, which are intended especially for larger seal chamber cross sections, round off the universal range of application for this mechanical seal.

## Advantages

- Cartridge-mounted
- Double balanced
- Tandem active
- Independent of the direction of rotation
- Multiple springs made of Hastelloy C
- Springs outside the medium - no blockage of the springs
- Vibration-dampend stationary face support

# Mechanical seal

## Type 321R

## Technical specifications

### Area of application\*

Pressure:	700 mm Hg to 28 bar
Temperature:	dependent on elastomer
Sliding speed:	up to 35 m/s
Shaft movements:	axial $\geq \varnothing 24 \pm 1.0$ mm radial $\geq \varnothing 24 \pm 0.5$ mm

\* The maximum specifications for temperature, pressure and sliding speed apply in each case to independent higher operating conditions. However, this does not mean that the seal will function with all extreme conditions at the same time. If in doubt contact DEPAC.

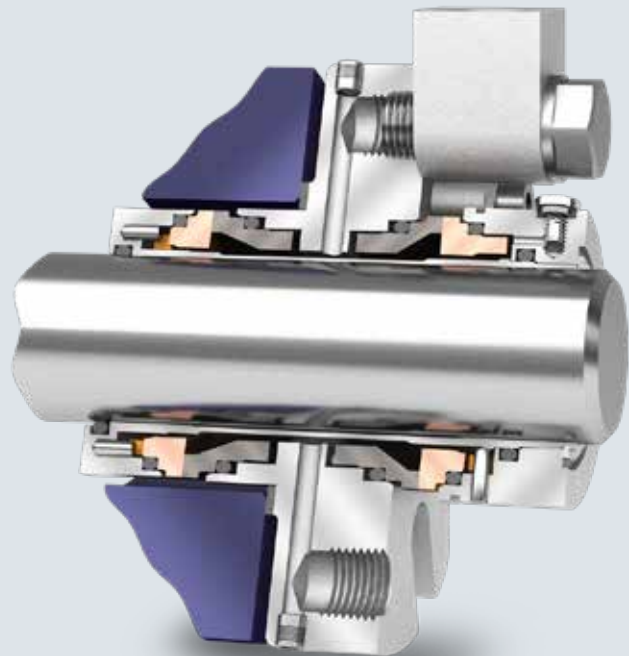
### Dimensions

Shaft diameter:	24 – 70 mm 15/16" – 2 3/4" Special sizes on enquiry
-----------------	---

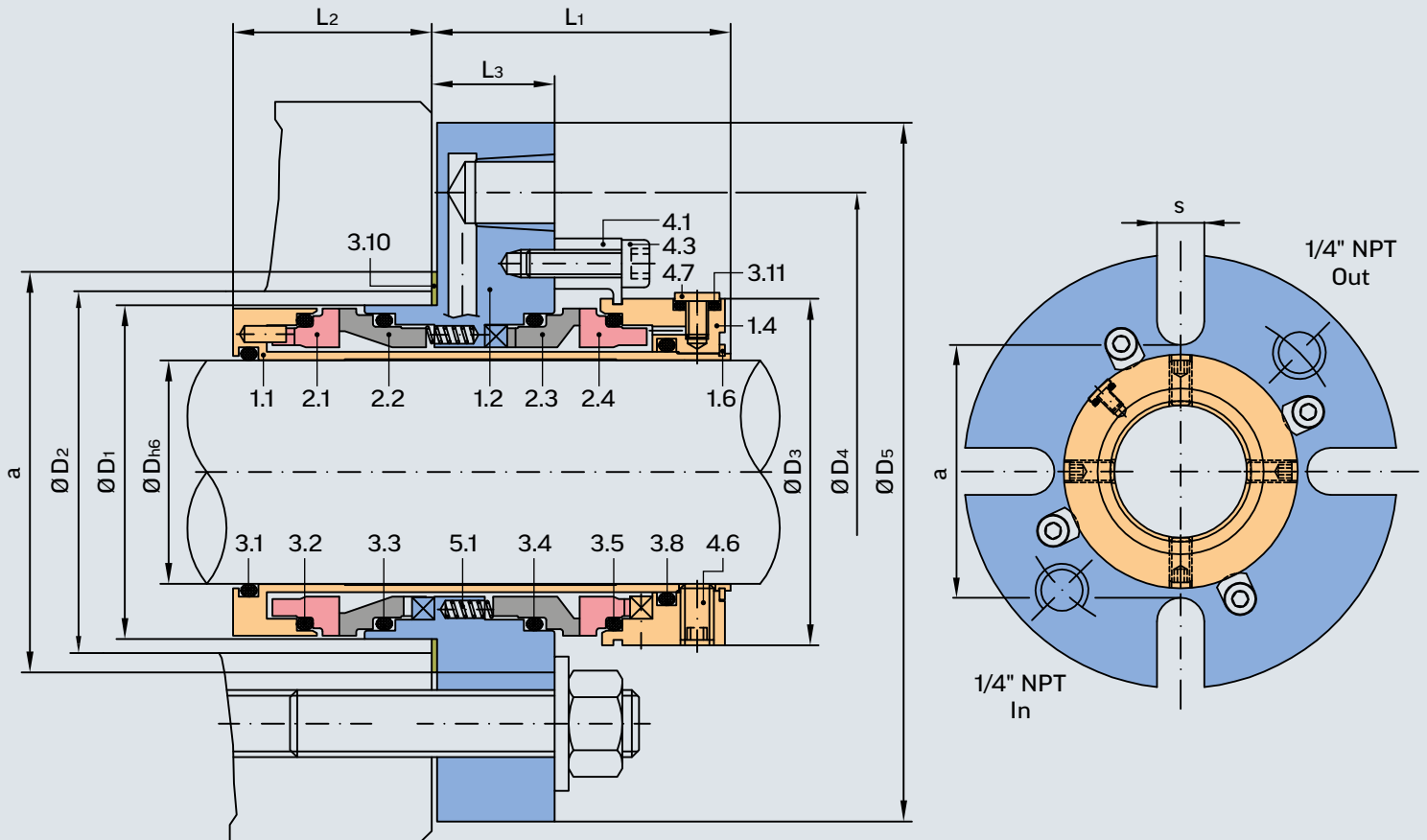
### Bill of materials

Item	Description	Material
1.1	Sleeve	1.4571
1.2	Gland	1.4571
1.4	Adjusting ring	1.4571
1.6	Circlip	1.4310
2.1, 2.4	Dynamic seal face	SC/SSIC/TC
2.2, 2.3	Stationary seal face	CA/SC/SSIC/TC
3.1, 3.2, 3.3 3.4, 3.5, 3.8 3.11	O-ring	FKM, EPDM, Kalrez®, PTFE,...
3.10	Flat gasket	Klingersil® C-4300
4.1	Centering piece	Al
4.3	Cheesehead screw	A2
4.6	Threaded pin	A4
4.7	Bleed screw	A2
5.1	Spring	2.4610

Other materials on enquiry!



# Mechanical seal Type 321R Data sheet



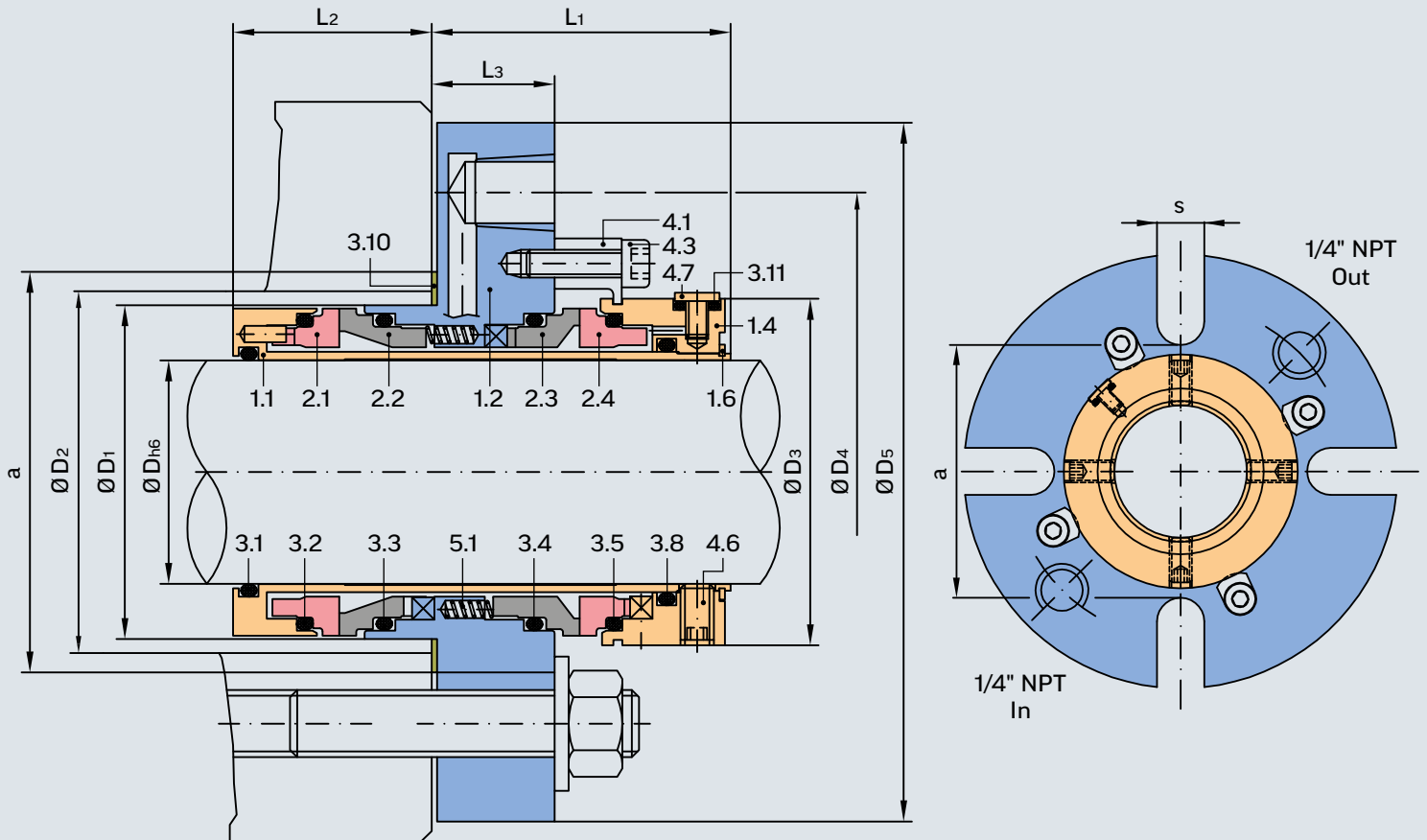
Dimension table Ø 24 – 50 millimetres

D <sub>h6</sub>	D <sub>1</sub>	D <sub>2</sub> min.	D <sub>2</sub> max.	D <sub>3</sub>	D <sub>4</sub>	D <sub>5</sub>	a	s	O-rings DASH no.							
									3.1	3.2	3.3	3.4	3.5	3.8	3.11	
24	44.7	45.2	52	47	82	105	60	12.5	119	127	127	127	127	127	122	007
25	44.7	45.2	52	47	82	105	60	12.5	120	127	127	127	127	127	122	007
28	47.7	48.2	52	50	82	105	60	12.5	122	129	129	129	129	124	007	
30	49.7	50.2	52	52	82	105	60	12.5	123	130	130	130	130	125	007	
32	50.9	51.4	52	54	82	105	60	12.5	124	131	131	131	131	127	007	
33	50.9	51.4	52	55	82	105	60	12.5	125	131	131	131	131	127	007	
35	54.7	55.2	59	57	89	115	67	12.5	126	133	133	133	133	128	007	
38	57.7	58.2	67	60	102	130	75	14.7	128	136	136	136	136	130	007	
40	59.7	60.2	67	62	102	130	75	14.7	130	137	137	137	137	132	007	
42	61.7	62.2	74	64	114	140	82	14.7	131	138	138	138	138	133	007	
43	62.7	63.2	74	65	114	140	82	14.7	132	138	138	138	138	133	007	
45	64.7	65.2	74	67	114	140	82	14.7	133	140	140	140	140	135	007	
48	67.7	68.2	74	70	114	140	82	14.7	135	142	142	142	142	137	007	
50	69.7	70.2	74	72	114	140	82	14.7	136	143	143	143	143	138	007	

# Mechanical seal

## Type 321R

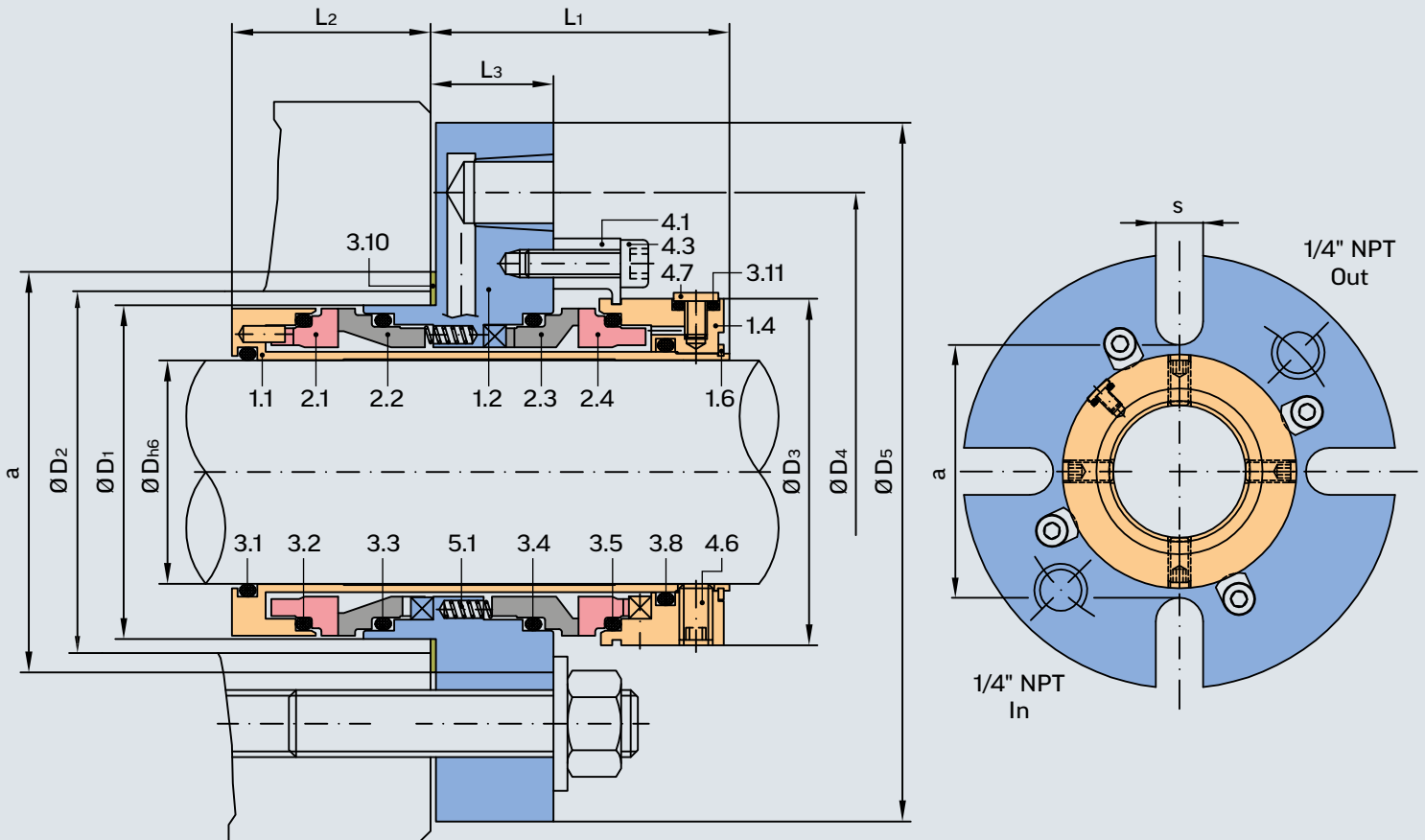
### Data sheet



Dimension table Ø 53 – 70 millimetres

D <sub>h6</sub>	D <sub>1</sub>	D <sub>2</sub> min.	D <sub>2</sub> max.	D <sub>3</sub>	D <sub>4</sub>	D <sub>5</sub>	a	s	O-rings DASH no.						
									3.1	3.2	3.3	3.4	3.5	3.8	3.11
53	72.7	73.2	84	75	122	150	92	17.5	138	145	145	145	145	140	007
55	74.7	75.2	84	77	122	150	92	17.5	139	146	146	146	146	141	007
58	77.7	78.2	84	80	122	150	92	17.5	141	148	148	148	148	143	007
60	79.7	80.2	92	82	129	160	100	17.5	142	149	149	149	149	144	007
63	82.7	83.2	92	85	129	160	100	17.5	144	150	150	150	150	146	007
65	84.7	85.2	92	87	140	160	100	17.5	145	151	151	151	151	147	007
68	87.7	88.2	104	90	140	180	112	17.5	147	151	151	151	151	149	007
70	89.7	90.2	104	92	140	180	112	17.5	149	152	152	152	152	150	007

# Mechanical seal Type 321R Data sheet



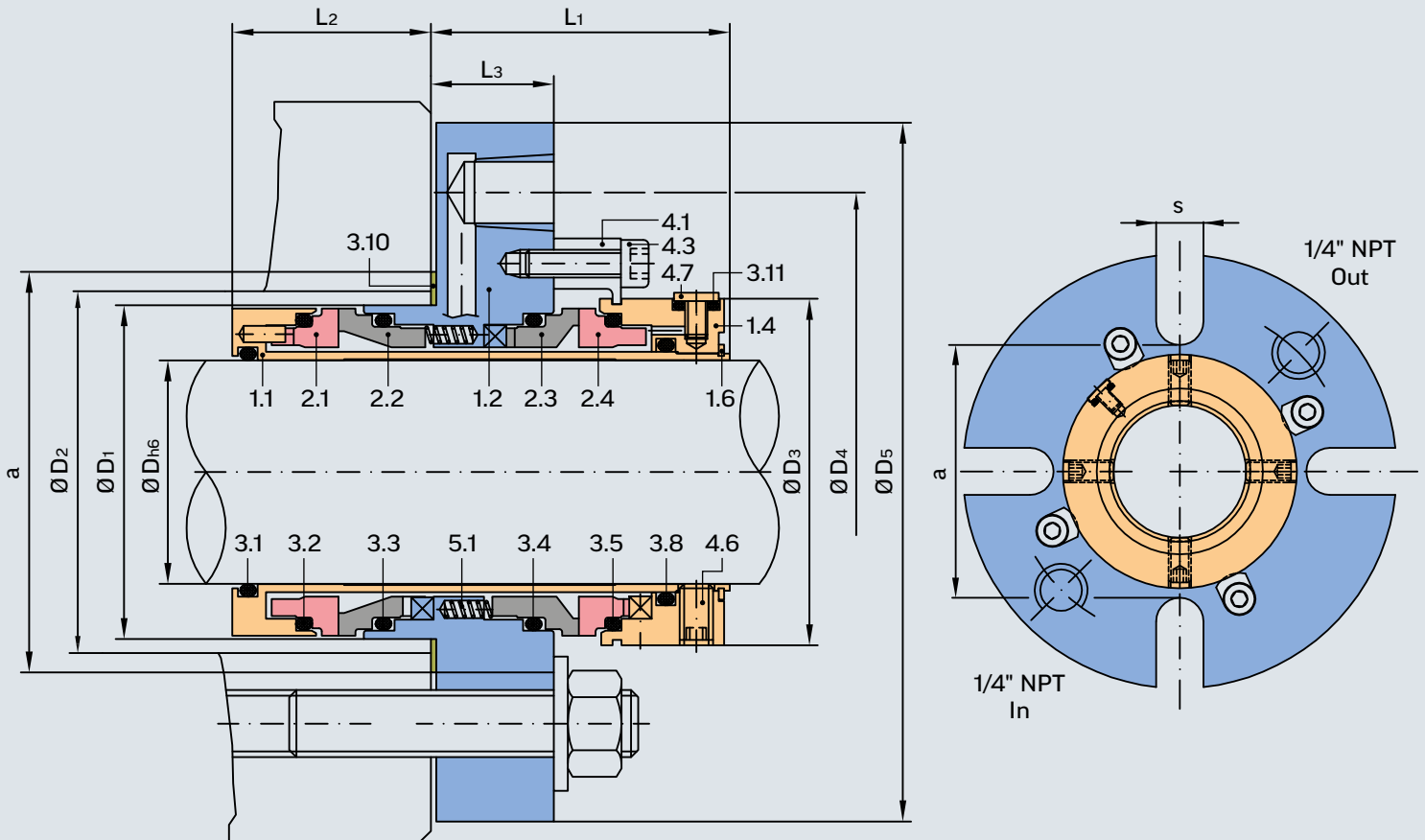
Dimension table  $\text{Ø } \frac{15}{16} - 2 \frac{3}{8}$  inches

Dh6	D1	D2 min.	D2 max.	D3	D4	D5	a	s	O-rings DASH no.						
									3.1	3.2	3.3	3.4	3.5	3.8	3.11
$\frac{15}{16}$	1.760	1.780	2.047	1.850	3.228	4.134	2.362	0.492	119	127	127	127	127	122	007
1	1.760	1.780	2.047	1.850	3.228	4.134	2.362	0.492	120	127	127	127	127	122	007
$1 \frac{1}{8}$	1.878	1.898	2.047	1.969	3.228	4.134	2.362	0.492	122	129	129	129	129	124	007
$1 \frac{1}{4}$	2.004	2.024	2.047	2.126	3.228	4.134	2.362	0.492	124	131	131	131	131	126	007
$1 \frac{3}{8}$	2.154	2.174	2.323	2.244	3.504	4.528	2.638	0.492	126	133	133	133	133	128	007
$1 \frac{7}{16}$	2.232	2.252	2.638	2.323	4.016	5.118	2.953	0.579	127	135	135	135	135	130	007
$1 \frac{1}{2}$	2.272	2.292	2.638	2.362	4.016	5.118	2.953	0.579	128	136	136	136	136	130	007
$1 \frac{5}{8}$	2.429	2.449	2.913	2.520	4.488	5.512	3.228	0.579	131	138	138	138	138	133	007
$1 \frac{3}{4}$	2.547	2.567	2.913	2.638	4.488	5.512	3.228	0.579	133	140	140	140	140	135	007
$1 \frac{7}{8}$	2.665	2.685	2.913	2.756	4.488	5.512	3.228	0.579	135	142	142	142	142	137	007
2	2.744	2.764	2.913	2.835	4.488	5.512	3.228	0.579	136	143	143	143	143	138	007
$2 \frac{1}{8}$	2.862	2.882	3.307	2.953	4.803	5.906	3.622	0.689	138	145	145	145	145	140	007
$2 \frac{1}{4}$	3.020	3.040	3.307	3.110	4.803	5.906	3.622	0.689	140	147	147	147	147	142	007
$2 \frac{3}{8}$	3.138	3.158	3.622	3.228	5.079	6.299	3.937	0.689	142	149	149	149	149	144	007

# Mechanical seal

## Type 321R

### Data sheet

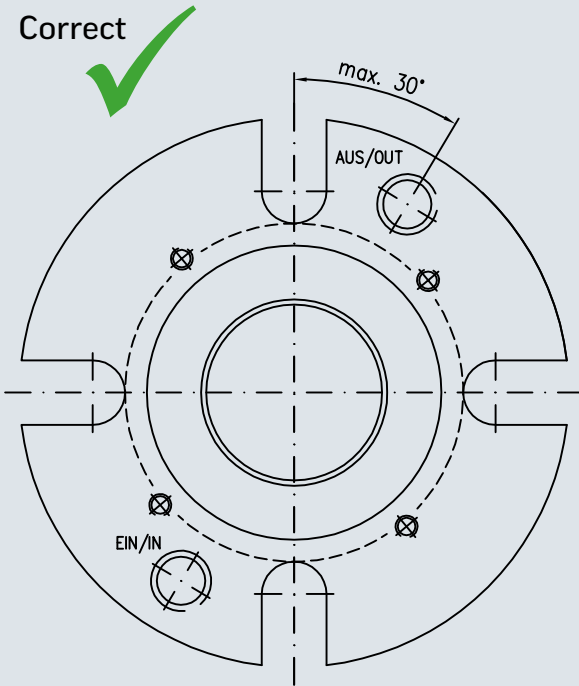


Dimension table Ø 2 ½ - 2 ¾ inches

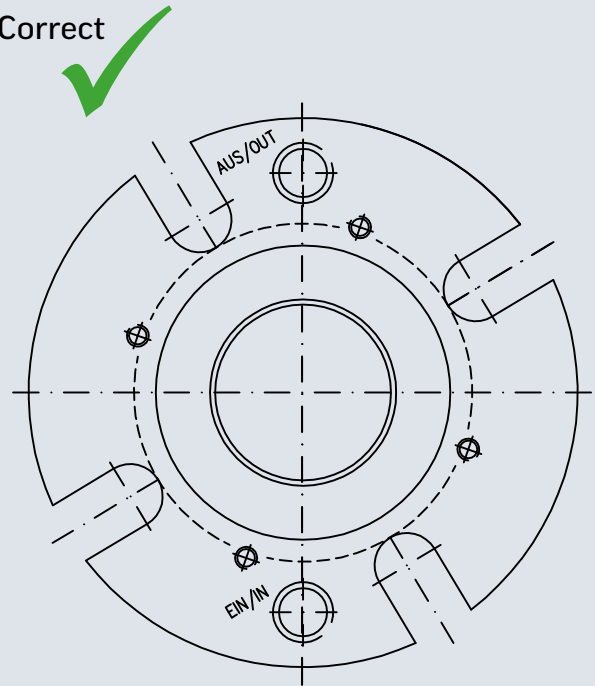
Dh6	D1	D2 min.	D2 max.	D3	D4	D5	a	s	O-rings DASH no.						
									3.1	3.2	3.3	3.4	3.5	3.8	3.11
2 ½	3.256	3.276	3.622	3.346	5.079	6.299	3.937	0.689	144	150	150	150	150	146	007
2 ⅝	3.413	3.433	4.094	3.504	5.512	7.087	4.409	0.689	146	151	151	151	151	148	007
2 ¾	3.531	3.551	4.094	3.622	5.512	7.087	4.409	0.689	149	152	152	152	152	150	007

# Mechanical seal Type 321R Installation position

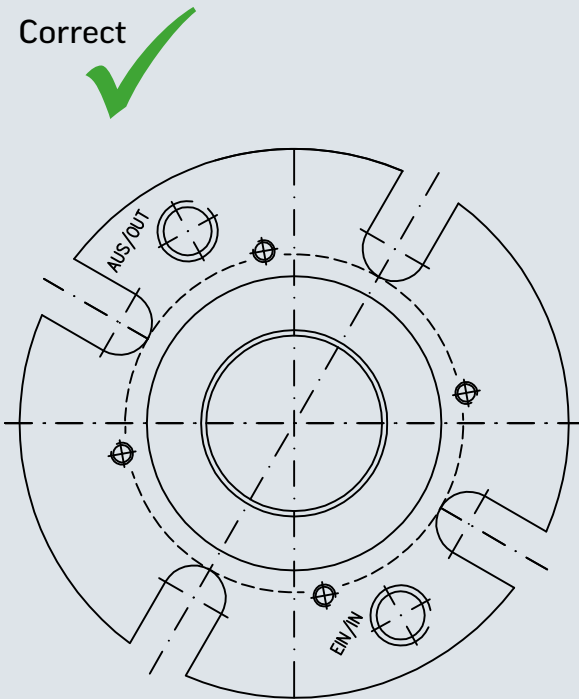
Correct



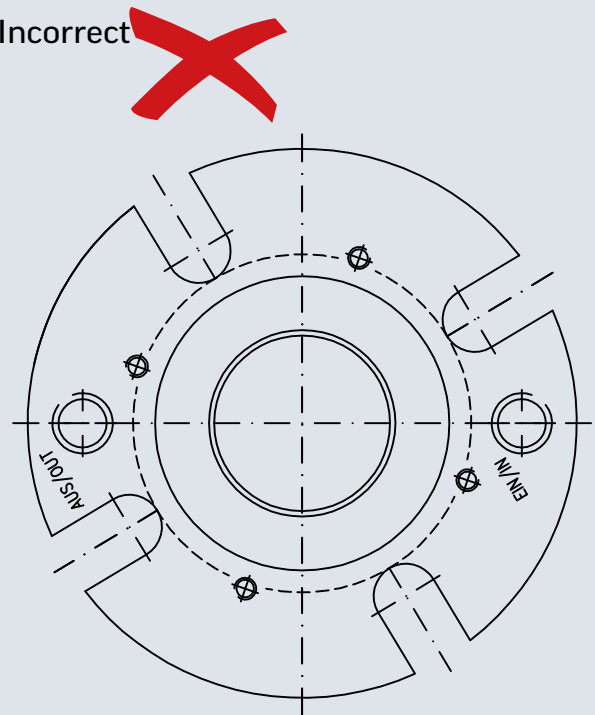
Correct



Correct

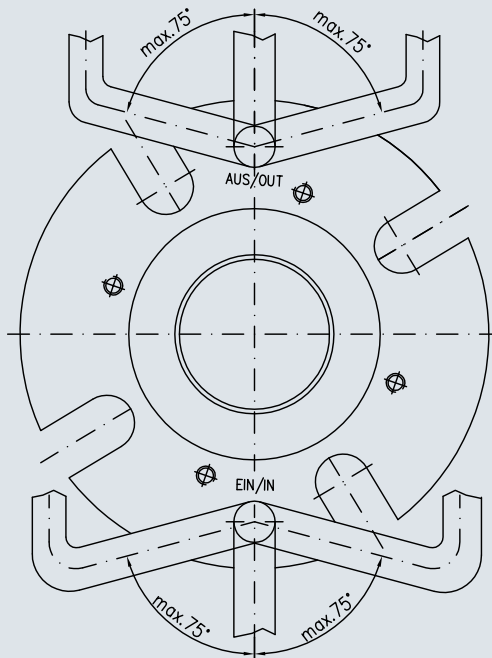


Incorrect



# Mechanical seal Type 321R Pipe installation

Correct



Incorrect

